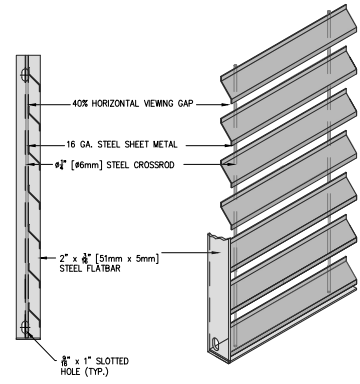
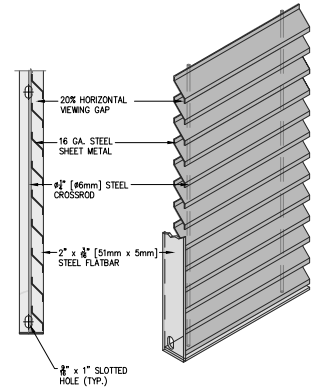


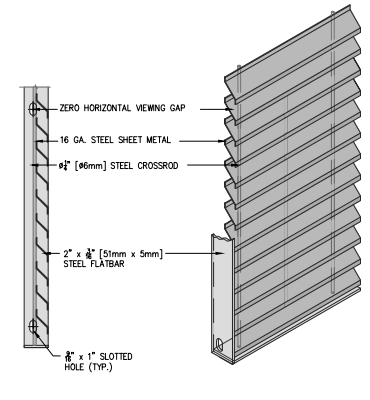
1 TYPICAL DOUBLE-SWING GATE W/GRIGLIATO "SC" LOUVER INFILL  
 DSG SCALE: 3/8"=1'-0"



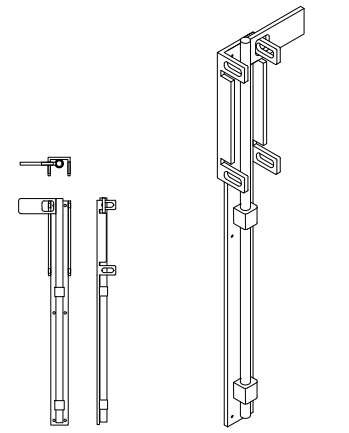
2 GRIGLIATO "SC-60" LOUVER DETAIL  
 DSG SCALE: 3/4"=1'-0"



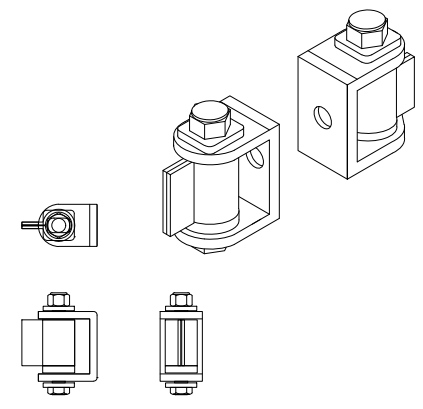
3 GRIGLIATO "SC-80" LOUVER DETAIL  
 DSG SCALE: 3/4"=1'-0"



4 GRIGLIATO "SC-100" LOUVER DETAIL  
 DSG SCALE: 3/4"=1'-0"



5 METALCO CB-I PADLOCKABLE CANEBOLT  
 DSG SCALE: N.T.S.



6 METALCO GH-I ADJUSTABLE GATE HINGE  
 DSG SCALE: N.T.S.

THIS DRAWING IN DESIGN AND DETAIL IS THE SOLE PROPERTY OF MFR MANUFACTURING CORPORATION, INC. AND MAY NOT BE USED FOR ANY PURPOSE WHATSOEVER OTHER THAN FOR OUR MANUFACTURING FACILITY AND INSTALLATION OF OUR PRODUCTS. THIS DOCUMENT OR ANY PART THEREOF MAY NOT BE REPRODUCED IN ANY MANNER WHATSOEVER AND SHALL BE RETURNED TO US UPON REQUEST. ALL RIGHTS RESERVED.

DRAWN BY:  
 KM

CHECKED BY:  
 GM

SCALE:  
 AS NOTED  
 DATE:  
 9/29/25



**METALCO**  
 MFR MANUFACTURING CORP.  
 1065 SILL AVE, AURORA IL 60506 • (815) 552-3333 • WWW.MFRCORP.COM

TITLE:  
 DOUBLE SWING GATE  
 W/ GRIGLIATO "SC" LOUVER INFILL

SHEET NO:  
 D-DSG-SC