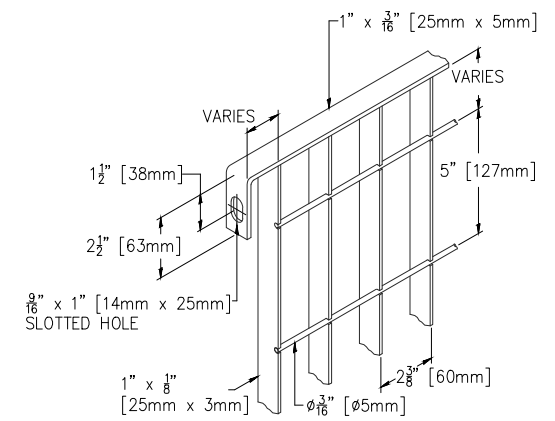
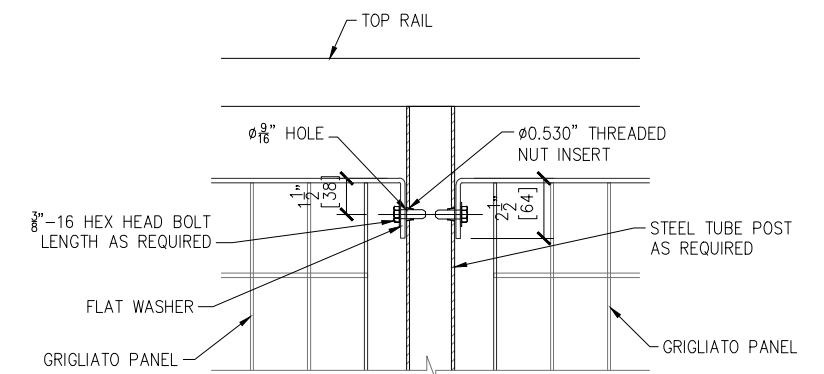


1 TYPICAL GRIGLIATO RAILING SYSTEM W/ BRACKETS & TOP RAIL
 SK1 SCALE: 1/2"=1'-0"



2 TYPICAL GRIGLIATO DETAIL
 SK1 SCALE: 1-1/2"=1'-0"

NOTE:
 GRIGLIATO "A" SHOWN. MESH SIZES VARY WITH OTHER PANEL TYPES.



3 TYPICAL CONNECTION DETAIL
 SK1 SCALE: 1-1/2"=1'-0"

THIS DRAWING IN DESIGN AND DETAIL IS THE SOLE PROPERTY OF MFR MANUFACTURING CORPORATION, INC. AND MAY NOT BE USED FOR ANY PURPOSE WHATSOEVER OTHER THAN FOR OUR MANUFACTURING FACILITY AND INSTALLATION OF OUR PRODUCTS. THIS DOCUMENT OR ANY PART THEREOF MAY NOT BE REPRODUCED IN ANY MANNER WHATSOEVER AND SHALL BE RETURNED TO US UPON REQUEST. ALL RIGHTS RESERVED.

DRAWN BY:
 GM
 CHECKED BY:
 AA
 SCALE:
 AS NOTED
 DATE:
 3/2/21



TITLE:
 TYPICAL GRIGLIATO RAILING SYSTEM
 W/ BRACKETS

SHEET NO:
 SK1