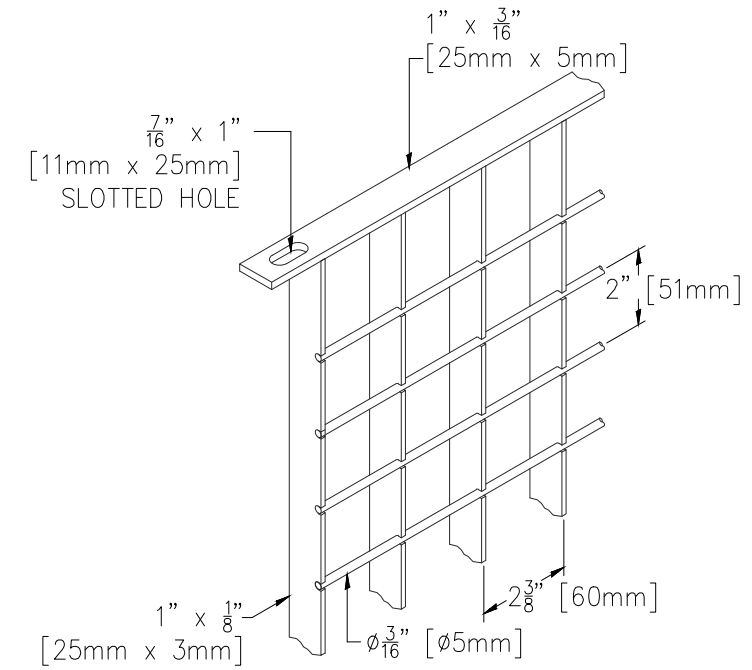


1 TYPICAL 3'-0" TALL GRIGLIATO RAILING SYSTEM  
 SK1 SCALE: 3/4"=1'-0"



2 GRIGLIATO "B" PANEL DETAIL  
 SK1 SCALE: N.T.S.

NOTE:  
 GRIGLIATO "B" SHOWN. MESH SIZES VARY WITH OTHER PANEL TYPES.

THIS DRAWING IN DESIGN AND DETAIL IS THE SOLE PROPERTY OF MFR MANUFACTURING CORPORATION, INC. AND MAY NOT BE USED FOR ANY PURPOSE WHATSOEVER OTHER THAN FOR OUR MANUFACTURING FACILITY AND INSTALLATION OF OUR PRODUCTS. THIS DOCUMENT OR ANY PART THEREOF MAY NOT BE REPRODUCED IN ANY MANNER WHATSOEVER AND SHALL BE RETURNED TO US UPON REQUEST. ALL RIGHTS RESERVED.

DRAWN BY: GM		SHEET NO: SK1
CHECKED BY: KM		
SCALE: AS NOTED	TITLE: TYPICAL GRIGLIATO RAILING SYSTEM W/ STRAIGHT TABS	
DATE: 3/1/21		

1065 SILL AVE, AURORA IL 60506 • (815) 552-3333 • WWW.MFRCORP.COM