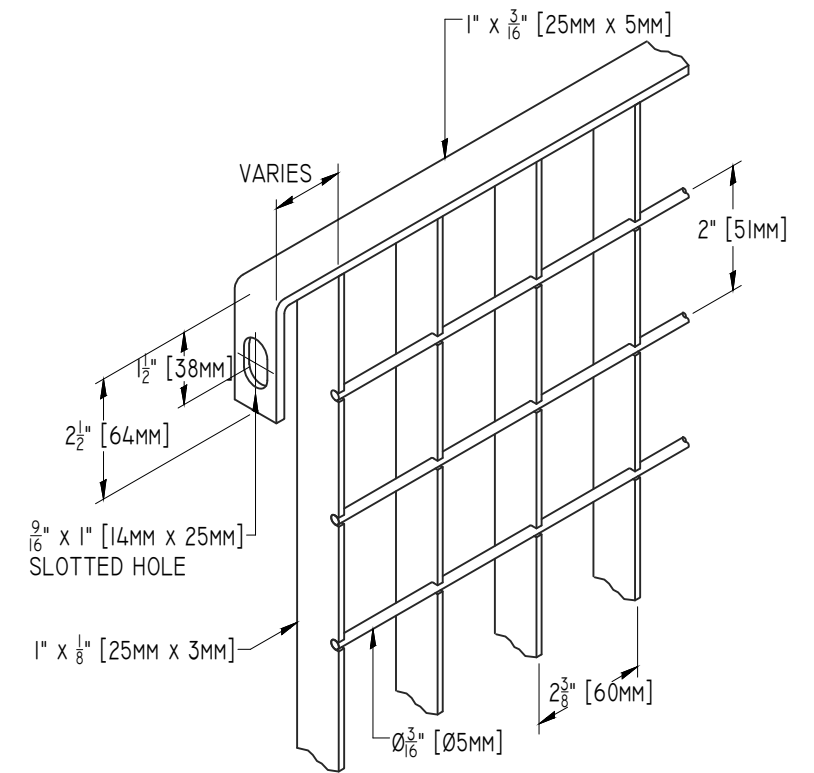
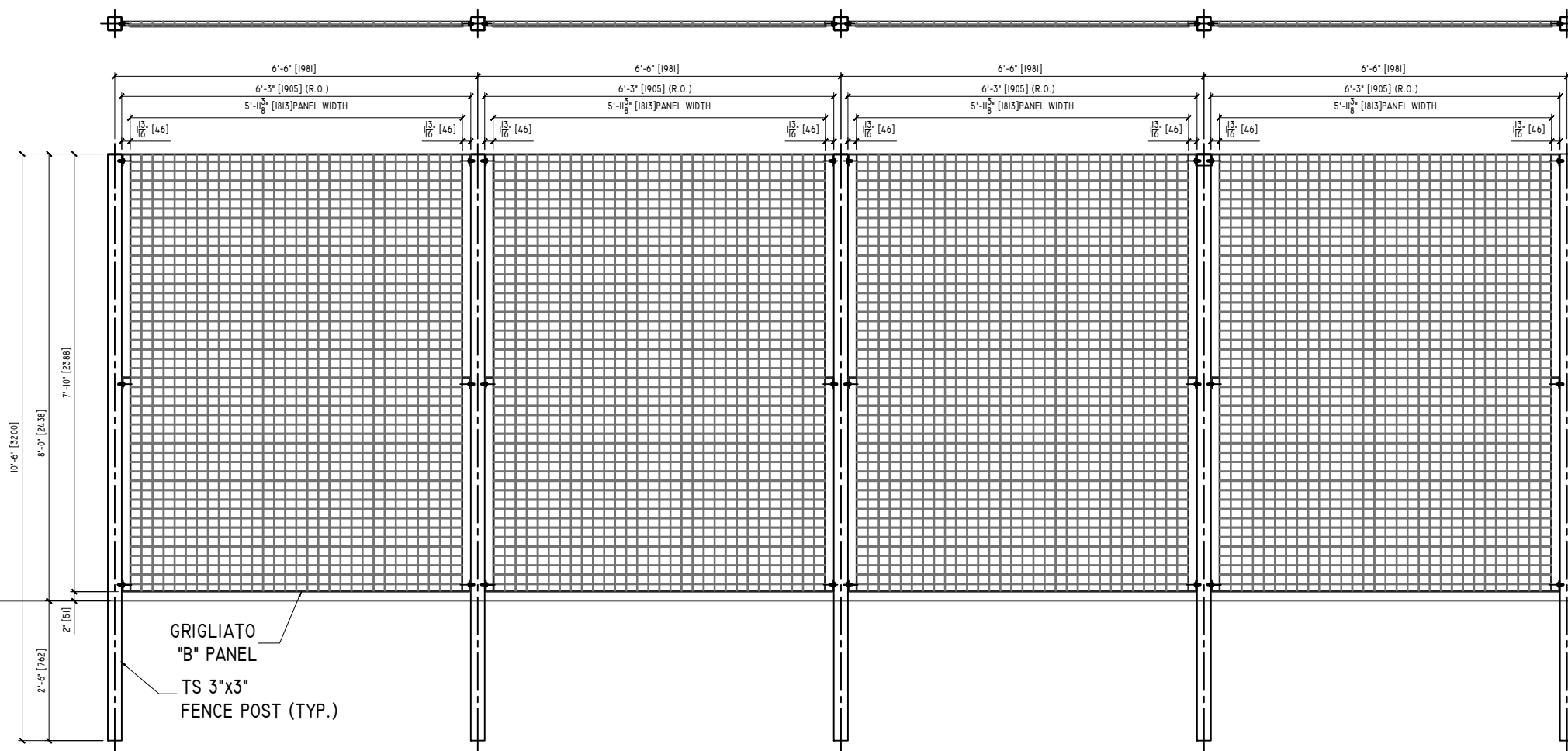


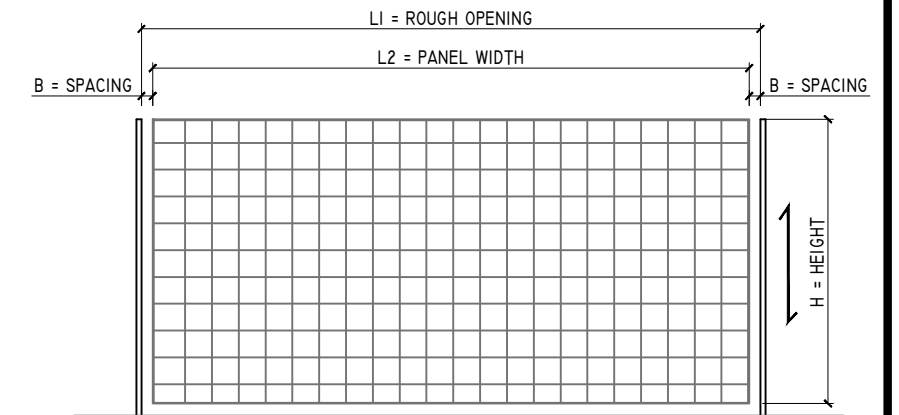
1 GRIGLIATO BRACKET CONNECTION DETAIL  
GB-8 SCALE: N.T.S.



2 GRIGLIATO B PANEL ISOMETRIC  
GB-8 SCALE: 3"=1'-0"



3 TYPICAL 8FT TALL GRIGLIATO "B" FENCE SYSTEM  
GB-8 SCALE: 3/8"=1'-0"



4 PANEL LEGEND  
GB-8 SCALE: N.T.S.

THIS DRAWING IN DESIGN AND DETAIL IS THE SOLE PROPERTY OF MFR MANUFACTURING CORPORATION, INC. AND MAY NOT BE USED FOR ANY PURPOSE WHATSOEVER OTHER THAN FOR OUR MANUFACTURING FACILITY AND INSTALLATION OF OUR PRODUCTS. THIS DOCUMENT OR ANY PART THEREOF MAY NOT BE REPRODUCED IN ANY MANNER WHATSOEVER AND SHALL BE RETURNED TO US UPON REQUEST. ALL RIGHTS RESERVED.

DRAWN BY: AA	 1065 SILL AVE, AURORA IL 60506 • (815) 552-3333 • WWW.MFRCORP.COM	SHEET NO: GB-8
CHECKED BY: GM		
SCALE: AS NOTED	TITLE: TYPICAL 8-0" H GRIGLIATO "A" FENCE ELEVATION AND DETAILS	
DATE: 3/19/21		