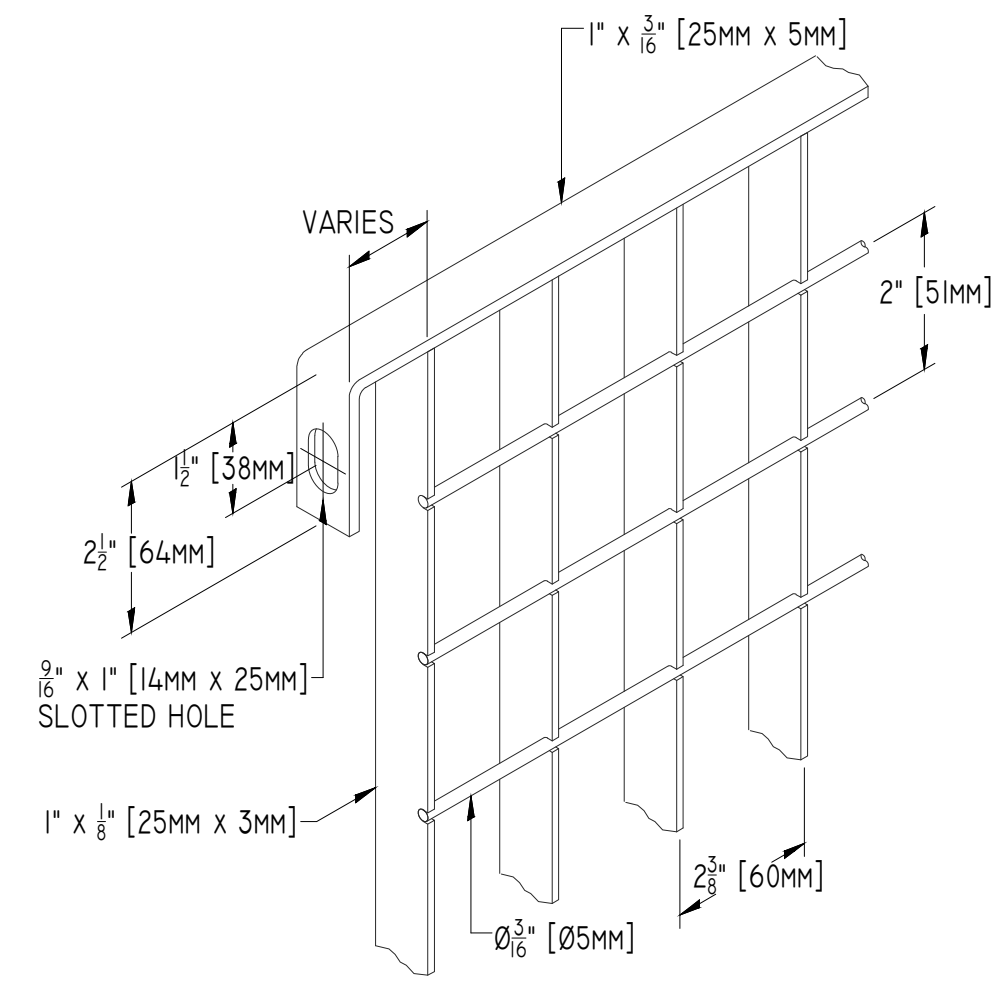


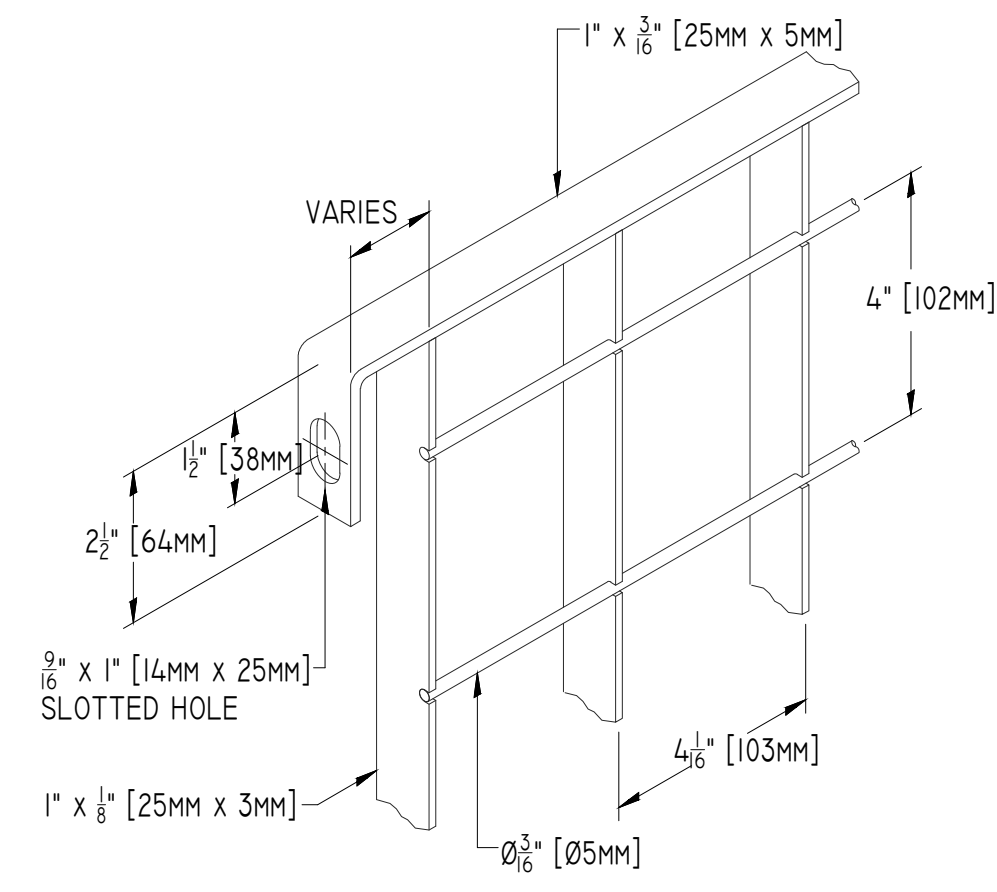
PANEL DETAIL GRIGLIATO "A"
FOR ATTACHMENT BRACKETS

1
AI SCALE: N.T.S.



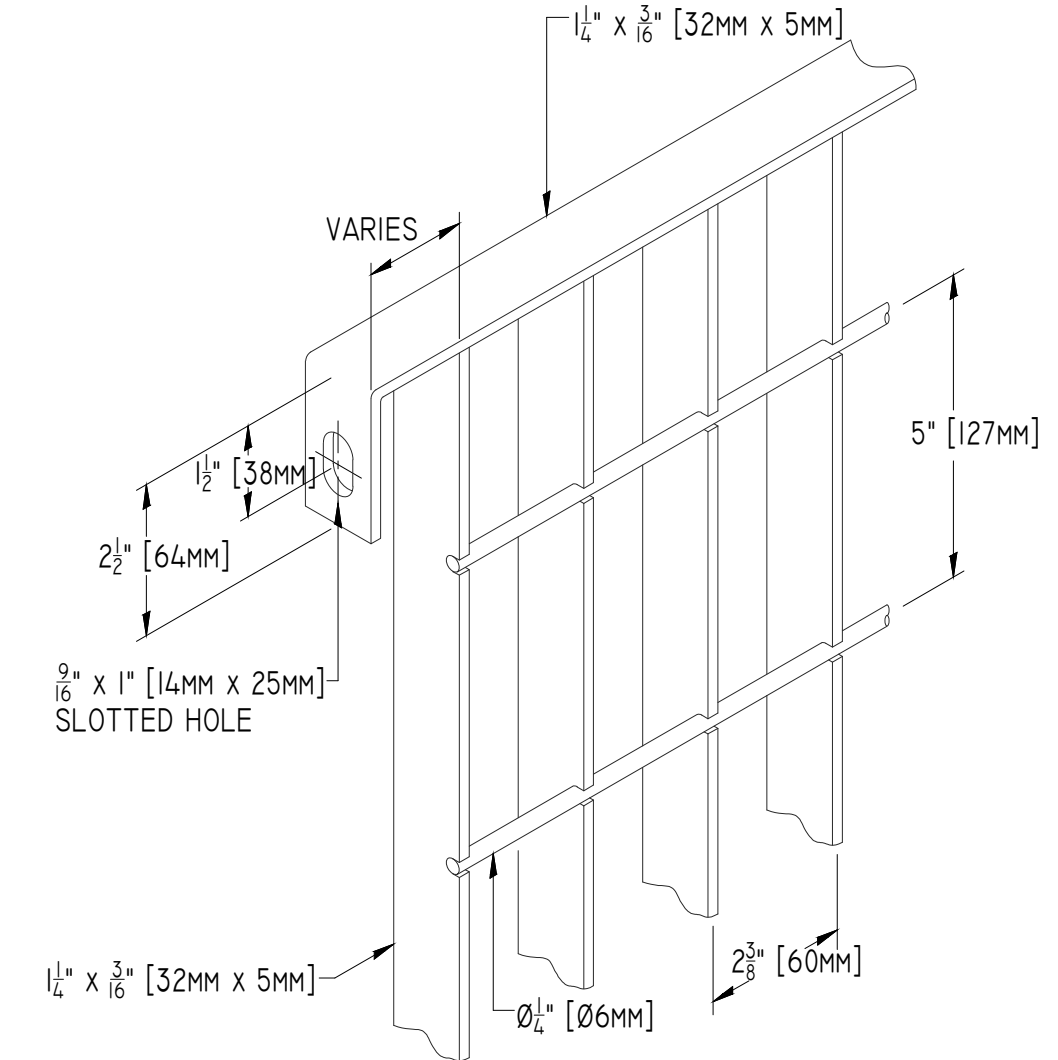
PANEL DETAIL GRIGLIATO "B"
FOR ATTACHMENT BRACKETS

2
AI SCALE: N.T.S.



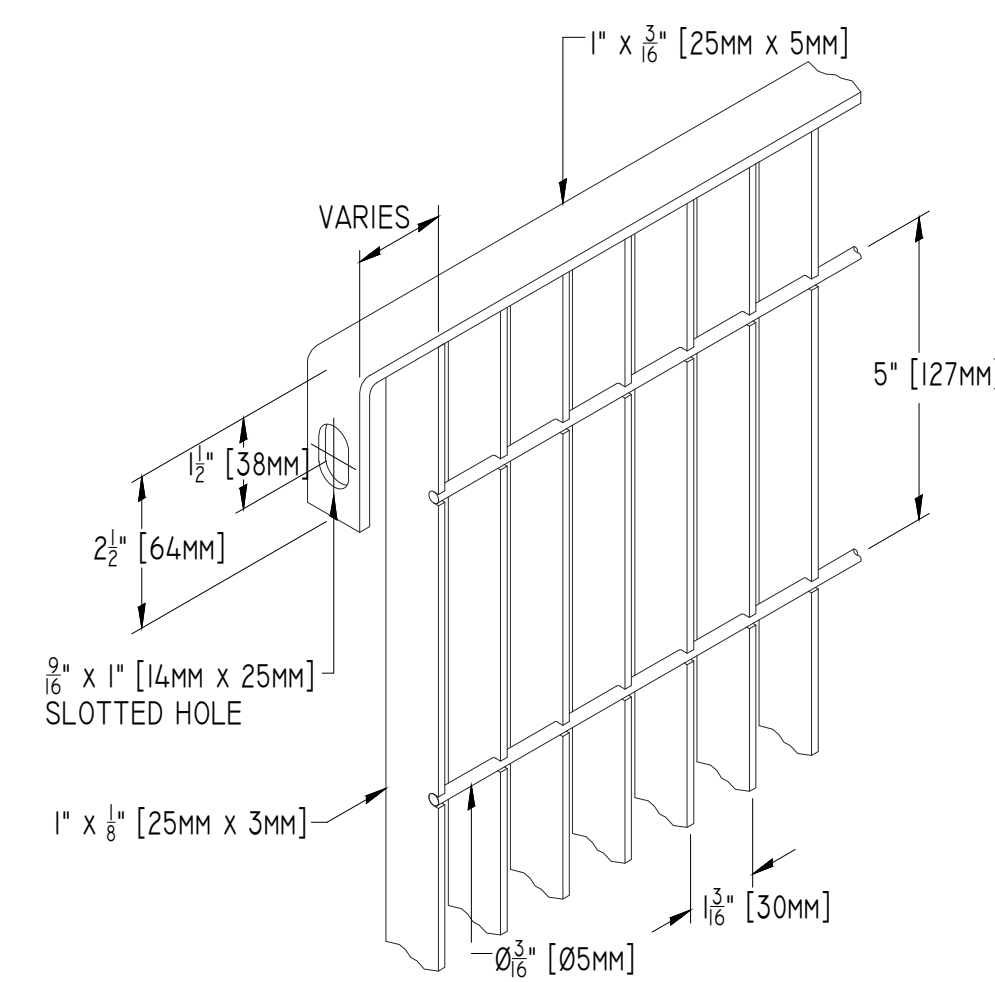
PANEL DETAIL GRIGLIATO "C"
FOR ATTACHMENT BRACKETS

3
AI SCALE: N.T.S.



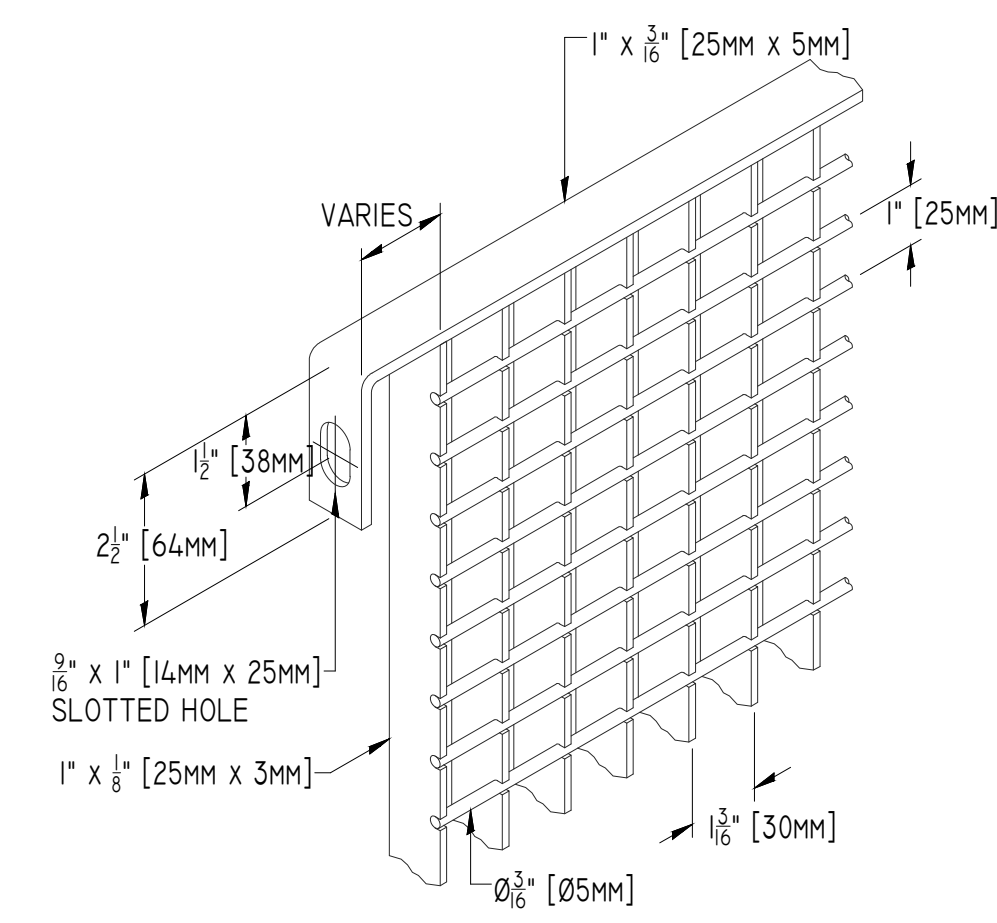
PANEL DETAIL GRIGLIATO "D"
FOR ATTACHMENT BRACKETS

4
AI SCALE: N.T.S.



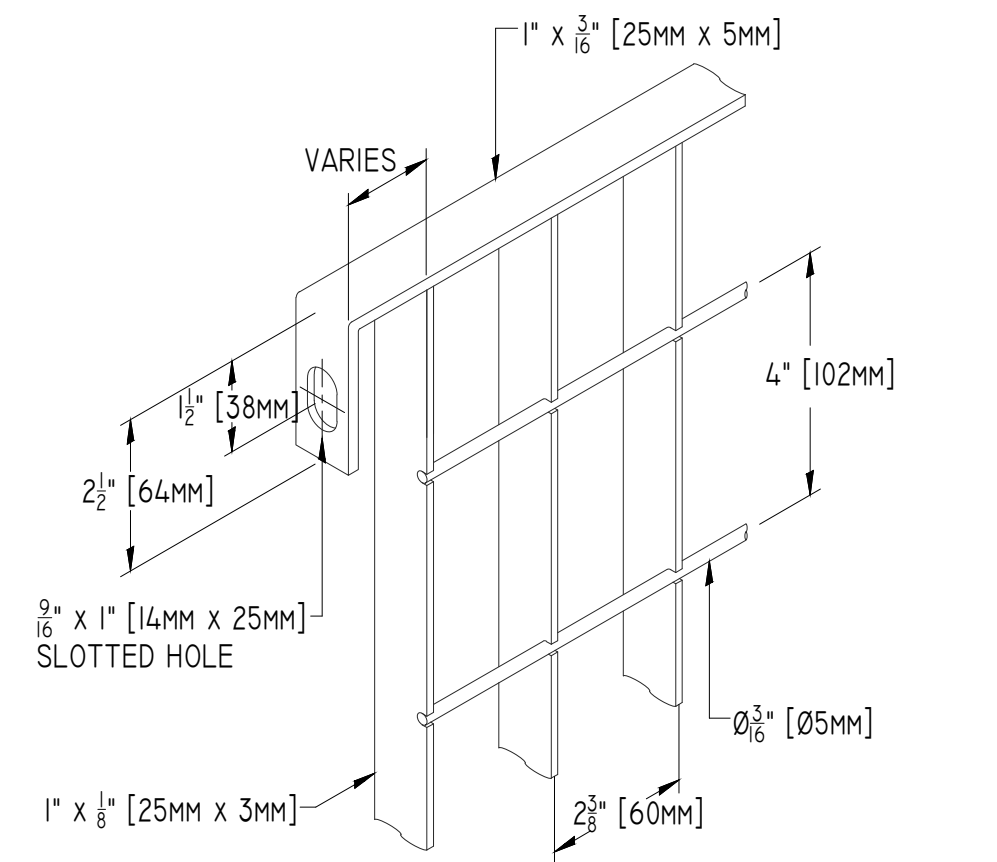
PANEL DETAIL GRIGLIATO "E"
FOR ATTACHMENT BRACKETS

5
AI SCALE: N.T.S.



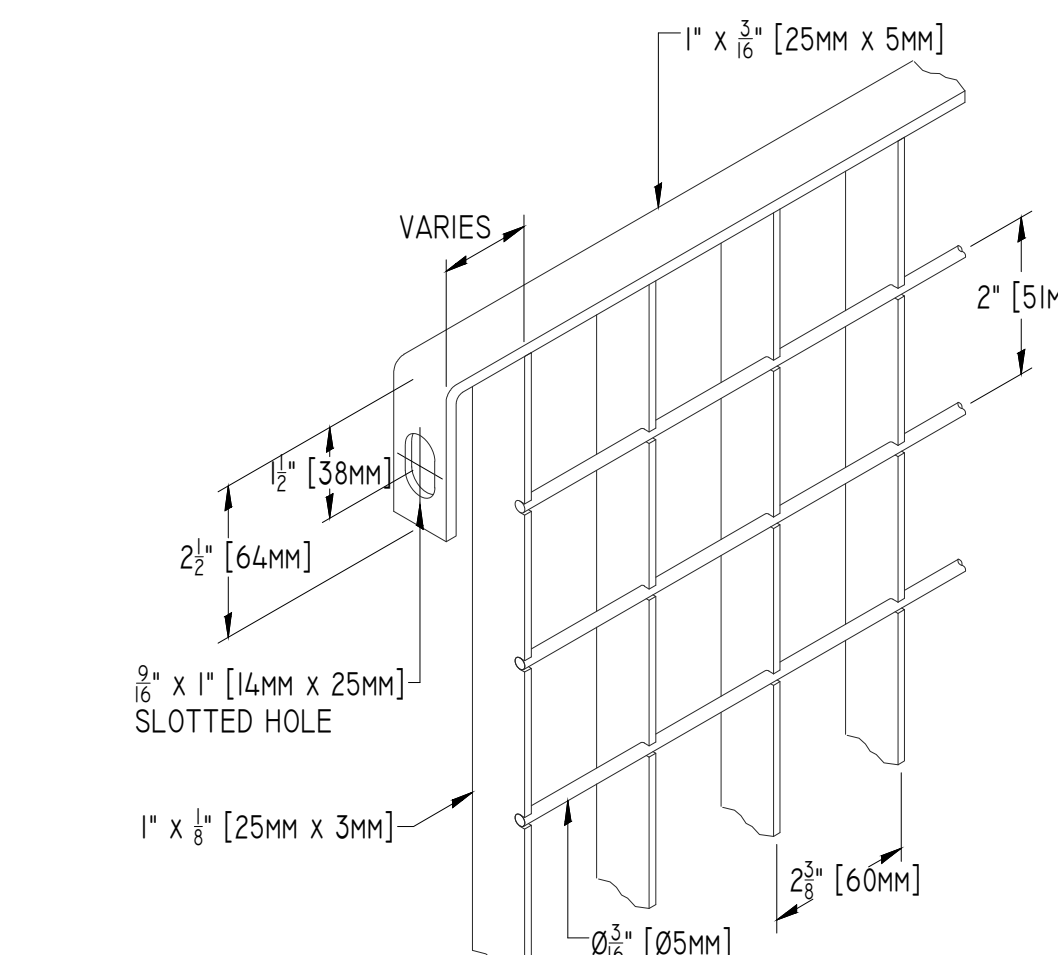
PANEL DETAIL GRIGLIATO "F"
FOR ATTACHMENT BRACKETS

6
AI SCALE: N.T.S.



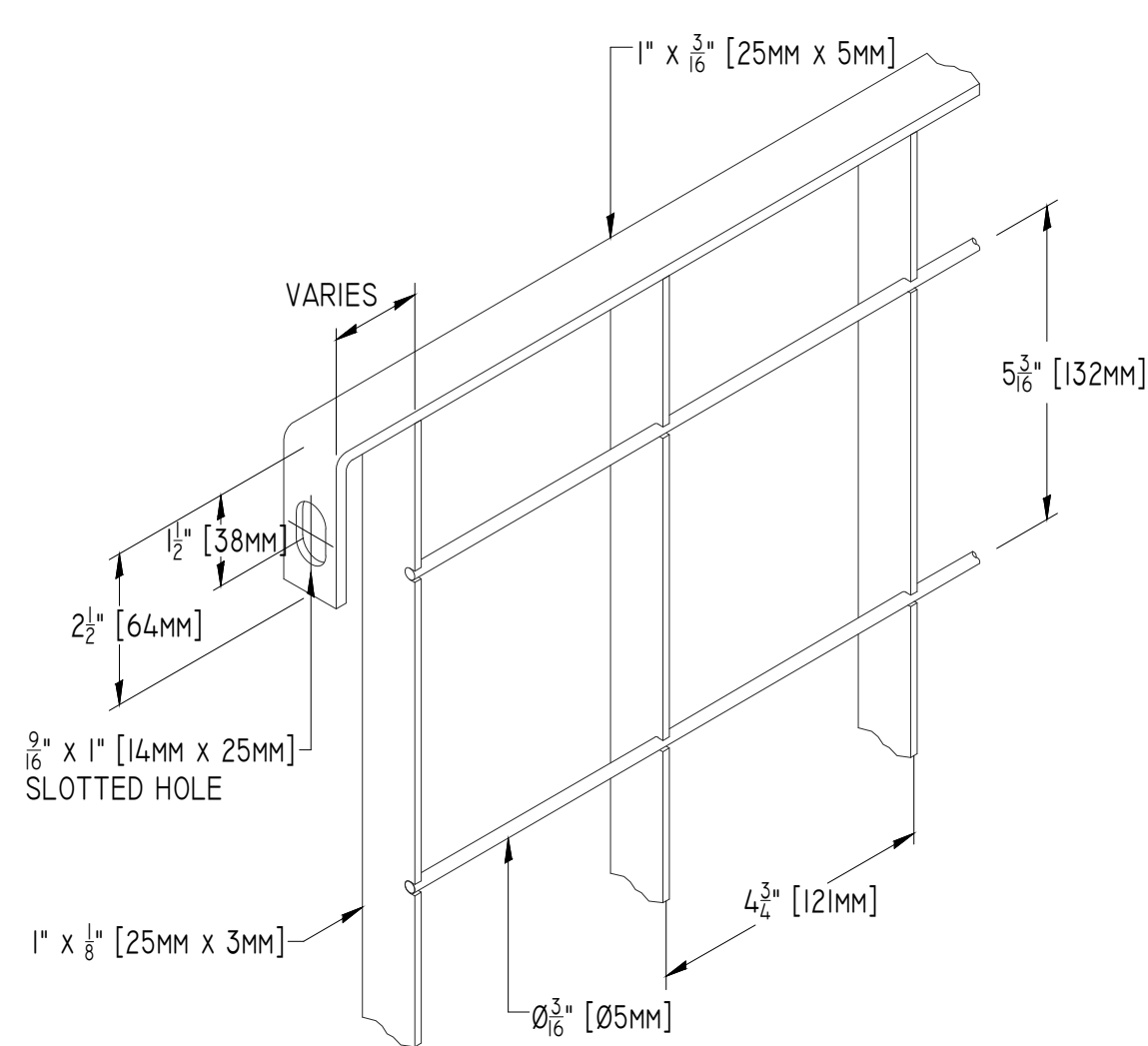
PANEL DETAIL GRIGLIATO "G"
FOR ATTACHMENT BRACKETS

7
AI SCALE: N.T.S.



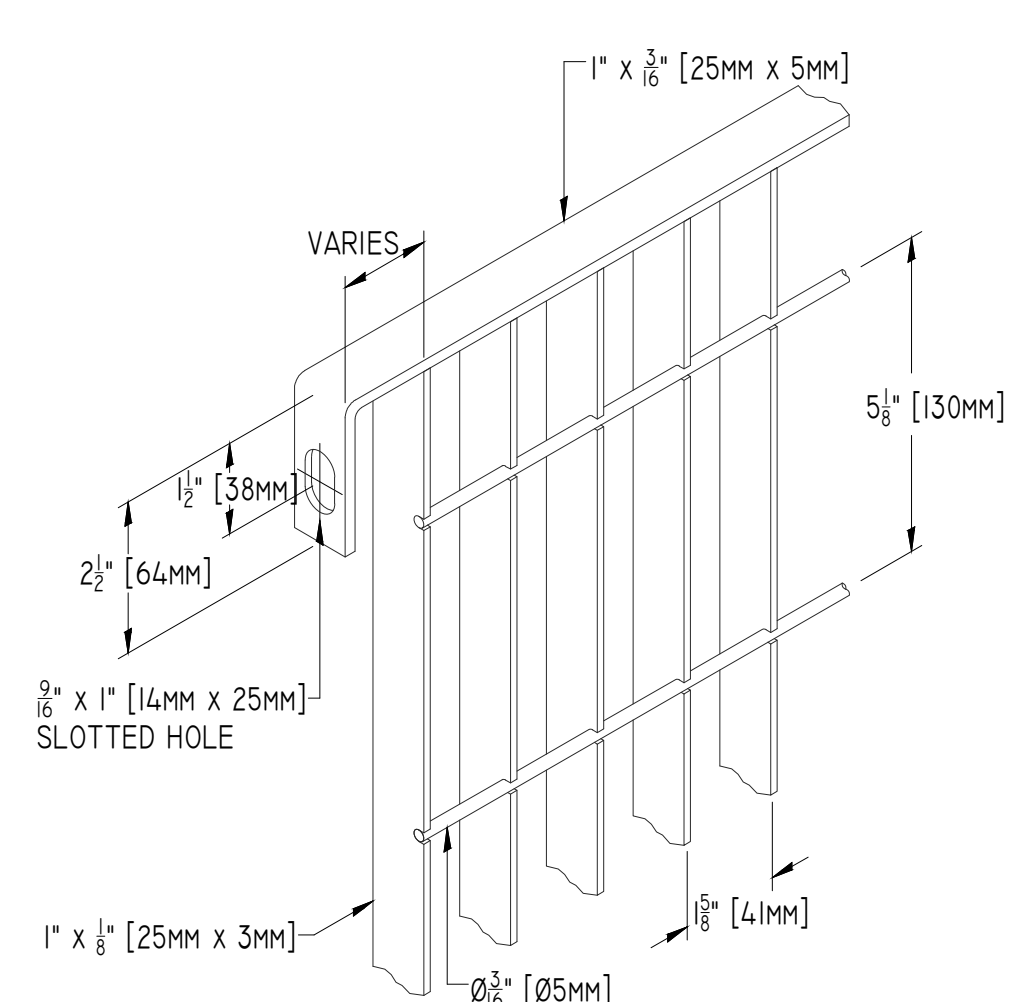
PANEL DETAIL GRIGLIATO "H"
FOR ATTACHMENT BRACKETS

8
AI SCALE: N.T.S.



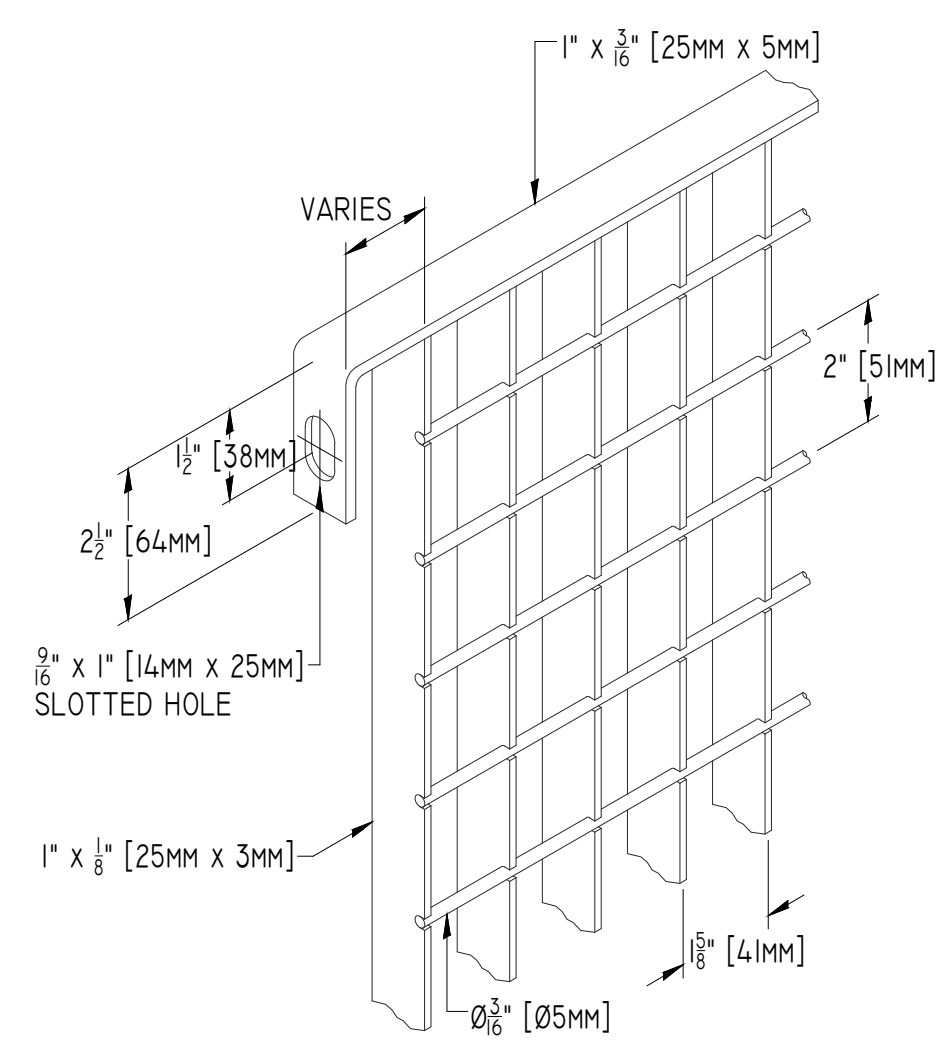
PANEL DETAIL GRIGLIATO "J"
FOR ATTACHMENT BRACKETS

9
AI SCALE: N.T.S.



PANEL DETAIL GRIGLIATO "K"
FOR ATTACHMENT BRACKETS

10
AI SCALE: N.T.S.



PANEL DETAIL GRIGLIATO "L"
FOR ATTACHMENT BRACKETS

11
AI SCALE: N.T.S.

THIS DRAWING IN DESIGN AND DETAIL IS THE SOLE PROPERTY OF MFR MANUFACTURING CORPORATION, INC. AND MAY NOT BE USED FOR ANY PURPOSE WHATSOEVER OTHER THAN FOR OUR MANUFACTURING FACILITY AND INSTALLATION OF OUR PRODUCTS. THIS DOCUMENT OR ANY PART THEREOF MAY NOT BE REPRODUCED IN ANY MANNER WHATSOEVER AND SHALL BE RETURNED TO US UPON REQUEST. ALL RIGHTS RESERVED.

REV. DATE	
REV. BY	
REVISED ITEMS	
REV. NO.	△ △ △
CONTENTS:	PANEL DETAIL GRIGLIATO WITH ATTACHMENT BRACKETS
PROJECT:	TYPICAL GRIGLIATO FENCE SYSTEM WITH BRACKETS
ADDRESS:	
DRAWN BY:	GM
CHECKED BY:	KM
SCALE:	AS NOTED
DATE:	3/2/21
JOB NO.:	GLTO
SHEET NO.:	

METALCO
MFR MANUFACTURING CORP.
1065 SILL AVE. AURORA IL 60506
(815) 562-3333
WWW.MFRCORP.COM