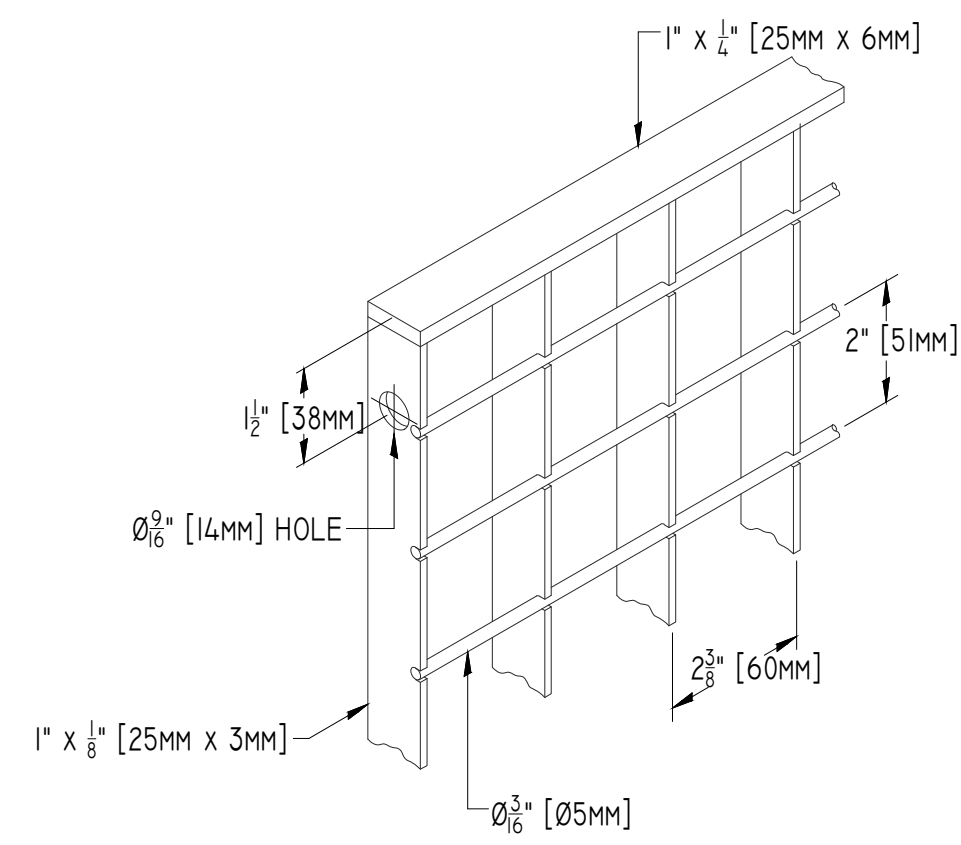


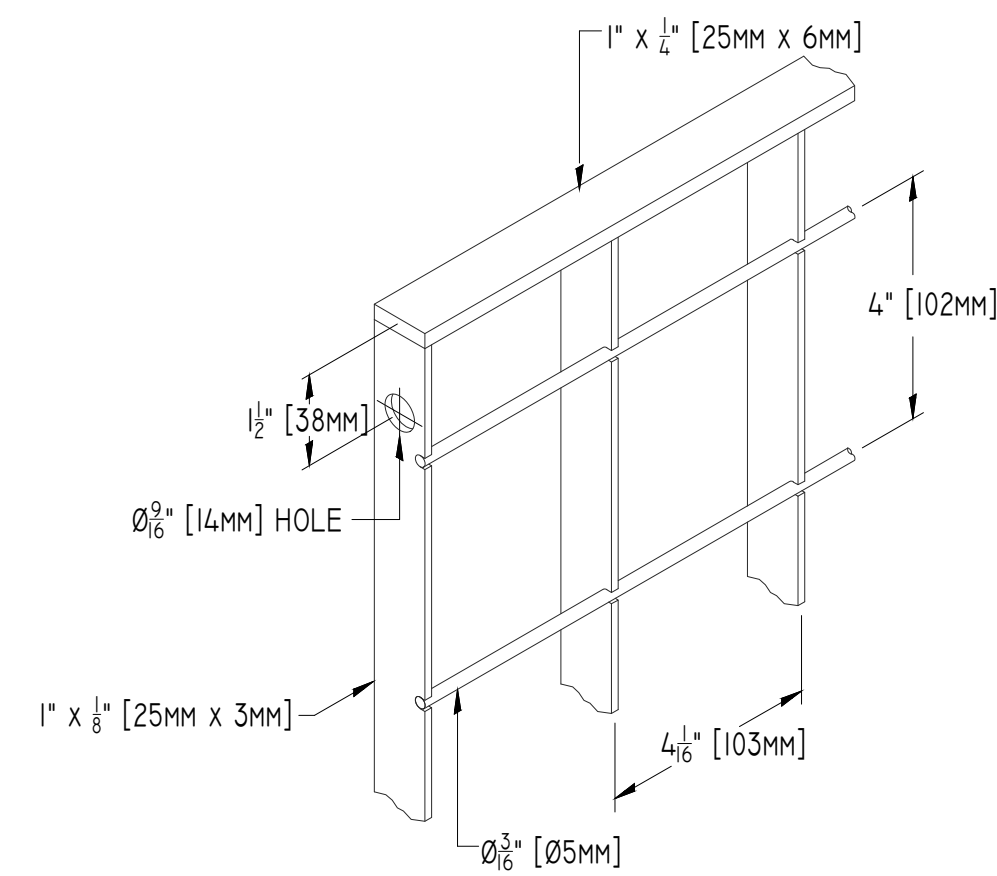
PANEL DETAIL GRIGLIATO "A"  
FOR SPACER ATTACHMENT

1  
AI SCALE: N.T.S.



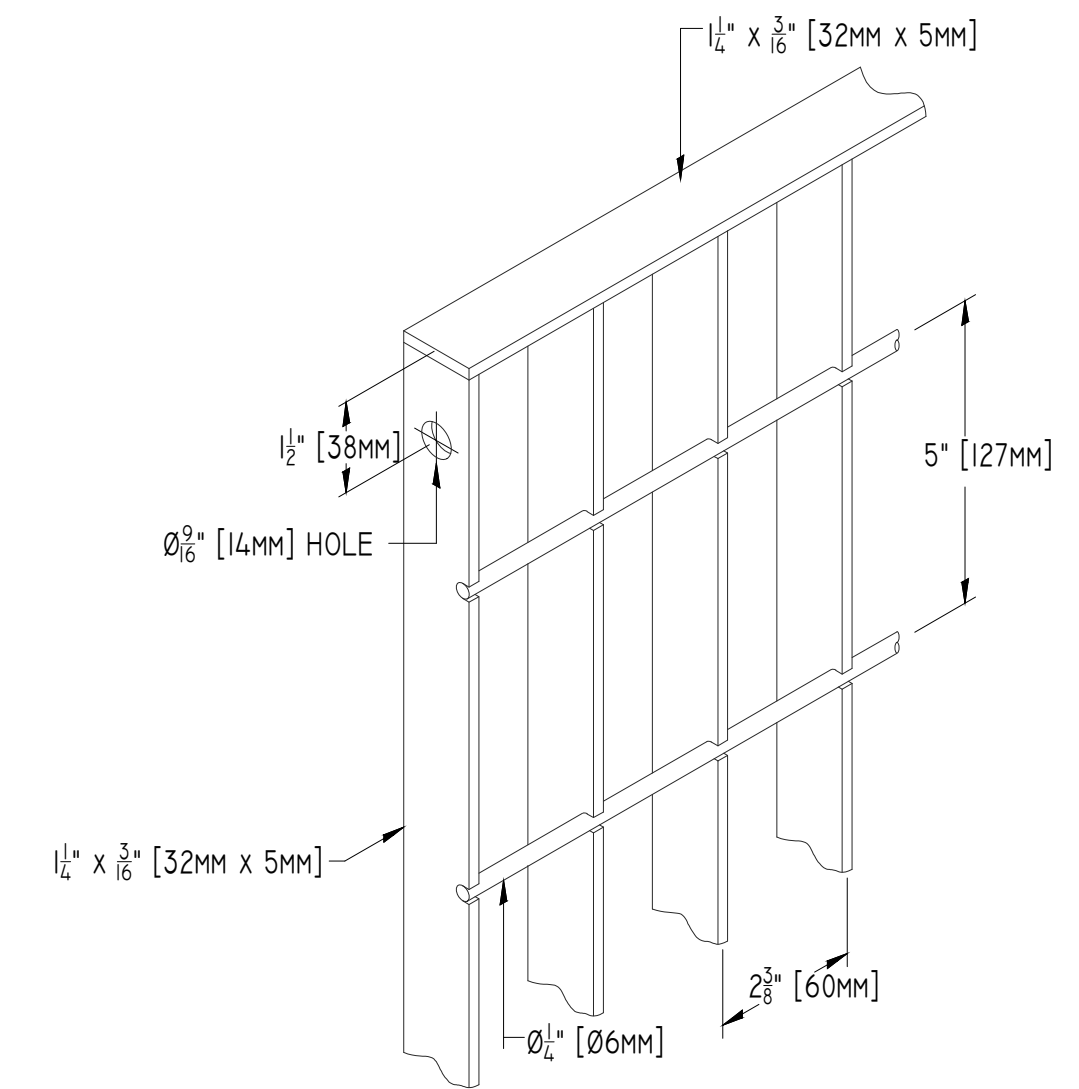
PANEL DETAIL GRIGLIATO "B"  
FOR SPACER ATTACHMENT

2  
AI SCALE: N.T.S.



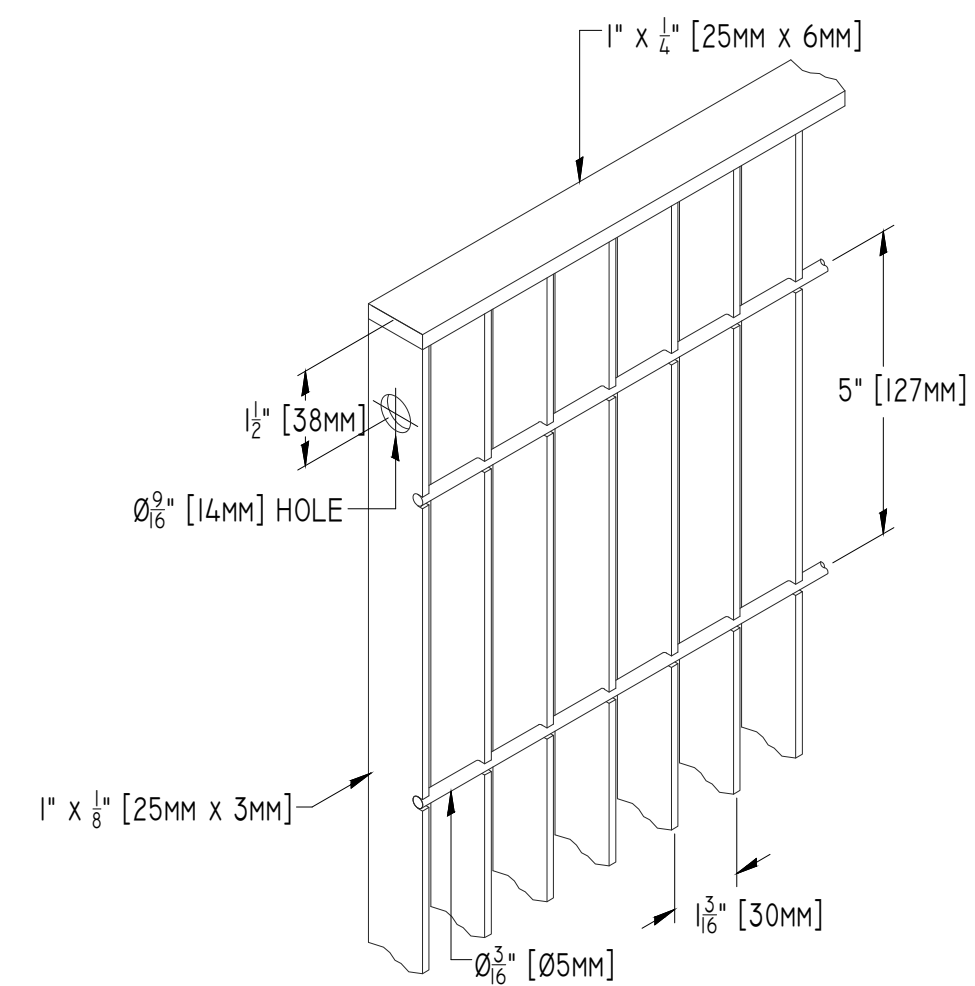
PANEL DETAIL GRIGLIATO "C"  
FOR SPACER ATTACHMENT

3  
AI SCALE: N.T.S.



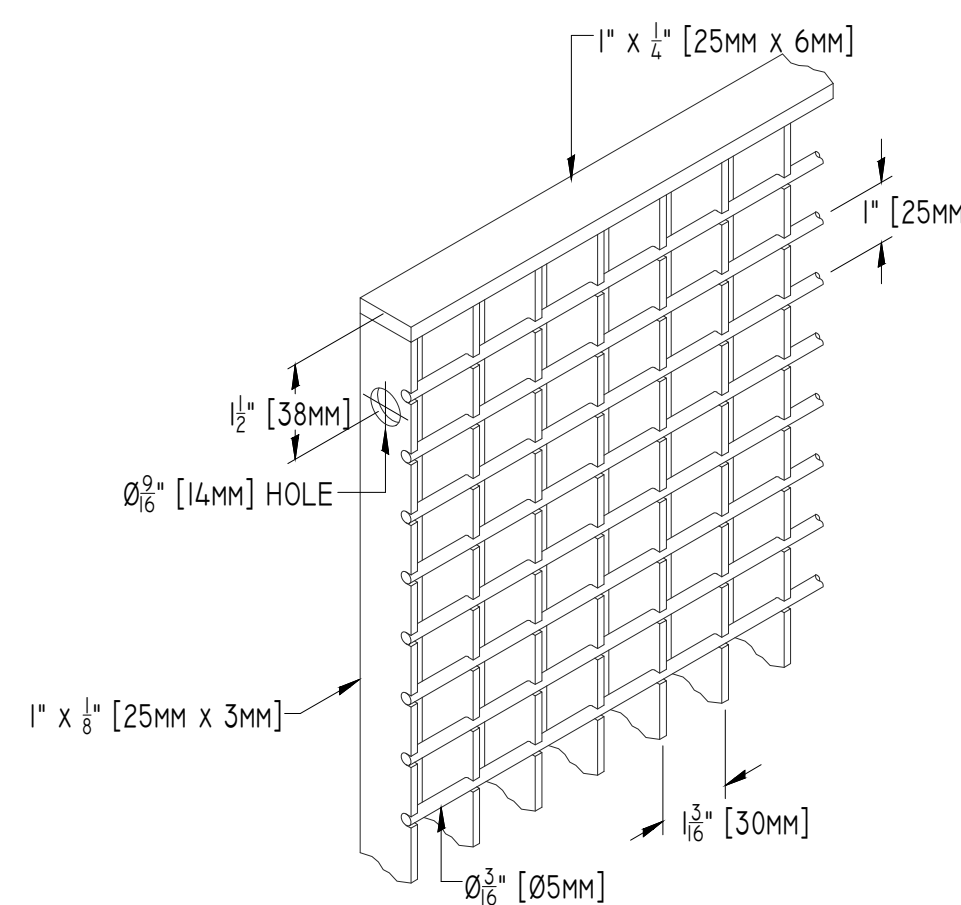
PANEL DETAIL GRIGLIATO "D"  
FOR SPACER ATTACHMENT

4  
AI SCALE: N.T.S.



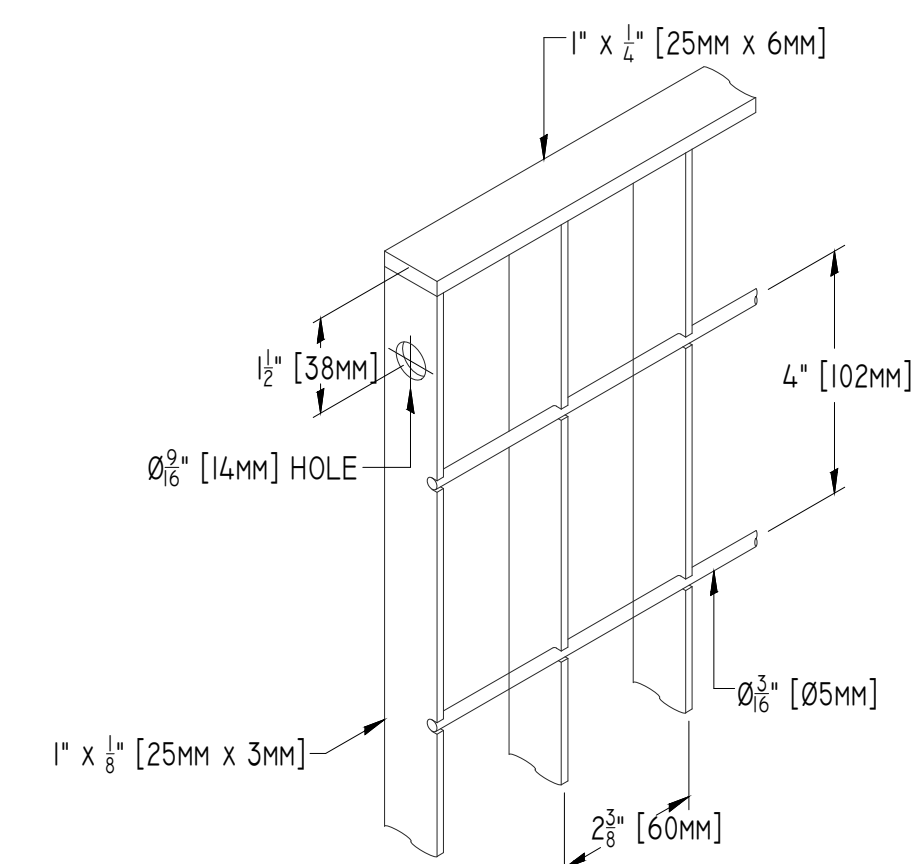
PANEL DETAIL GRIGLIATO "E"  
FOR SPACER ATTACHMENT

5  
AI SCALE: N.T.S.



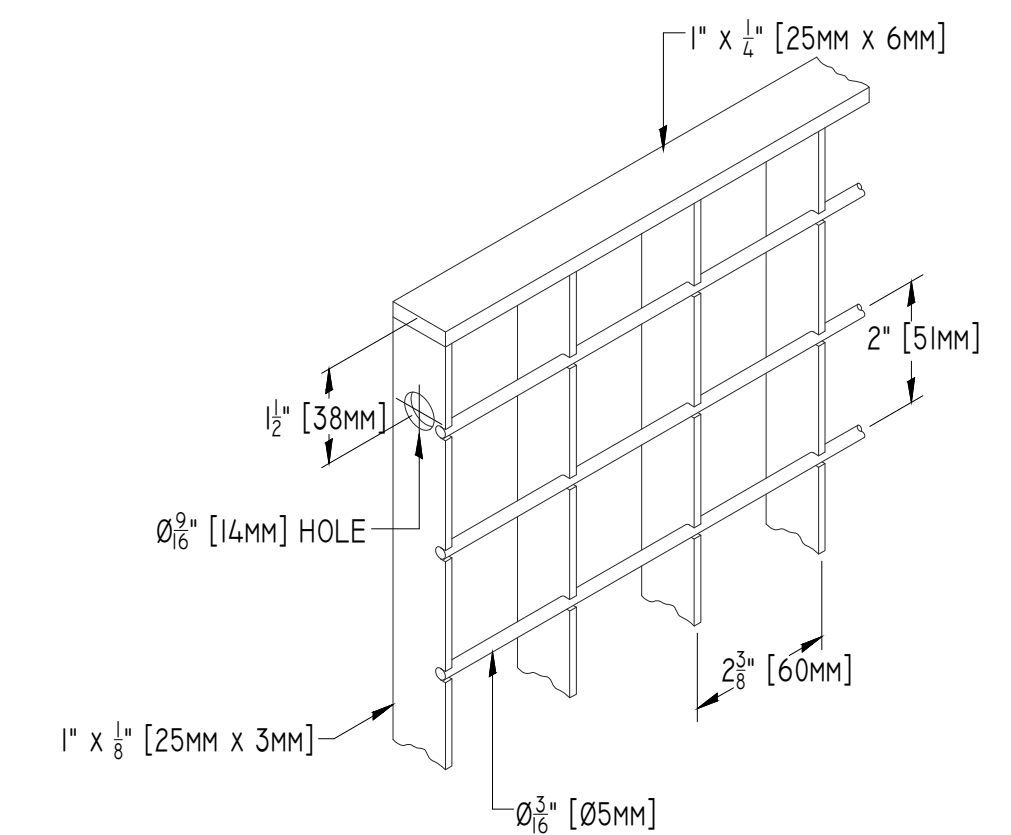
PANEL DETAIL GRIGLIATO "F"  
FOR SPACER ATTACHMENT

6  
AI SCALE: N.T.S.



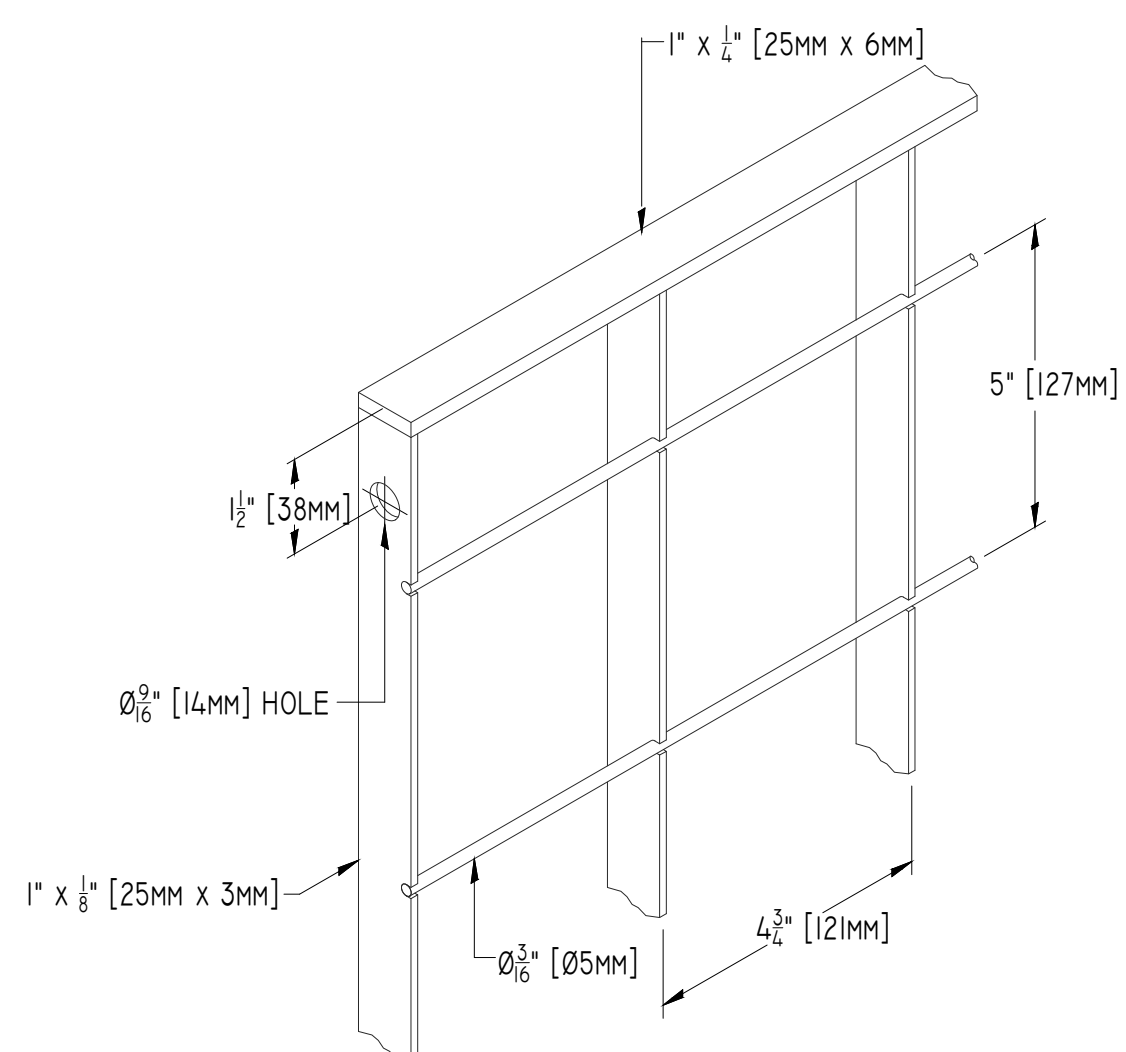
PANEL DETAIL GRIGLIATO "G"  
FOR SPACER ATTACHMENT

7  
AI SCALE: N.T.S.



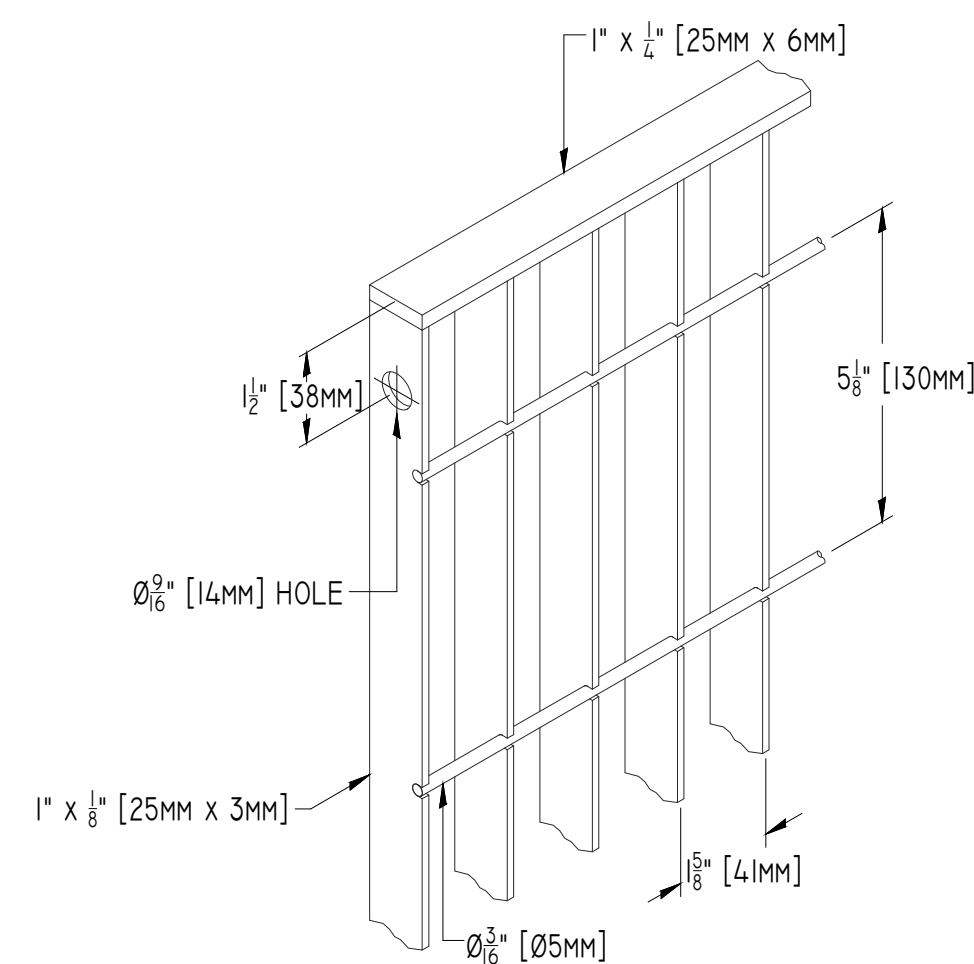
PANEL DETAIL GRIGLIATO "H"  
FOR SPACER ATTACHMENT

8  
AI SCALE: N.T.S.



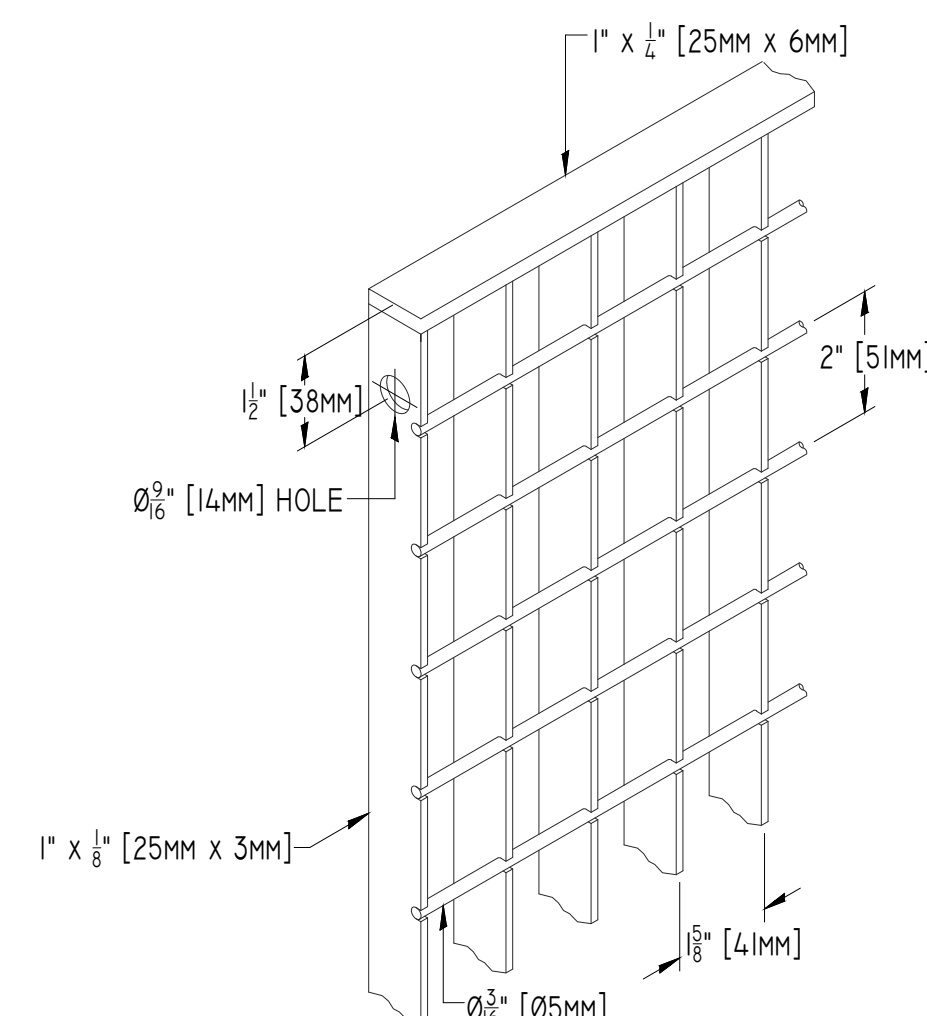
PANEL DETAIL GRIGLIATO "J"  
FOR SPACER ATTACHMENT

9  
AI SCALE: N.T.S.



PANEL DETAIL GRIGLIATO "K"  
FOR SPACER ATTACHMENT

10  
AI SCALE: N.T.S.



PANEL DETAIL GRIGLIATO "L"  
FOR SPACER ATTACHMENT

11  
AI SCALE: N.T.S.

THIS DRAWING IN DESIGN AND DETAIL IS THE SOLE PROPERTY OF METALCO (ATLANTIS PRODUCTS, INC.) AND MAY NOT BE USED FOR ANY PURPOSE WHATSOEVER OTHER THAN FOR OUR MANUFACTURING FACILITY AND INSTALLATION OF OUR PRODUCTS. THIS DOCUMENT OR ANY PART THEREOF MAY NOT BE REPRODUCED IN ANY MANNER WHATSOEVER AND SHALL BE RETURNED TO US UPON REQUEST. ALL RIGHTS RESERVED.

DATE SENT \_\_\_\_\_ INITIALS \_\_\_\_\_

REV. DATE	
REV. BY	
REVISED ITEMS	
REV. NO.	△ △ △
CONTENTS:	PANEL DETAIL GRIGLIATO WITH SPACER ATTACHMENTS
<p>1065 SILL AVE. AURORA IL 60506 (815) 562-3333 WWW.MFRCORP.COM</p>	
PROJECT:	TYPICAL GRIGLIATO FENCE SYSTEM WITH ATTACHMENT HOLES
ADDRESS:	
DRAWN BY:	GM
CHECKED BY:	KM
SCALE:	AS NOTED
DATE:	3/2/21
JOB NO.:	D-GLTO-S
SHEET NO.:	AI