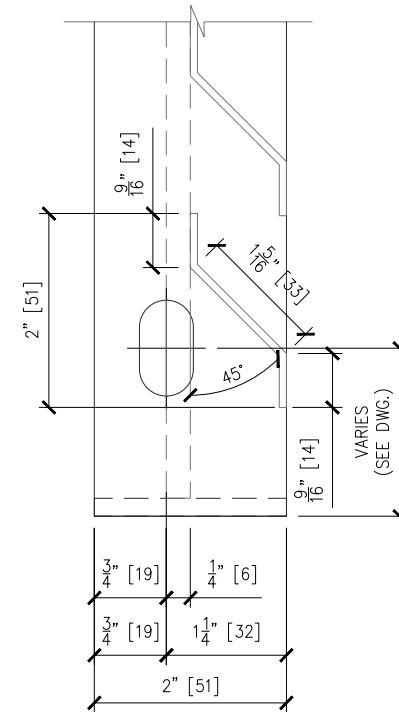


1 GRIGLIATO SC-100 DETAIL
SCALE: 1-1/2"=1'-0"



2 ENLARGED VIEW
SCALE: 6"=1'-0"

DRAWN BY:
KM

CHECKED BY:
GM



METALCO

MFR MANUFACTURING CORP.
1065 SILL AVE, AURORA IL 60506 • (815) 552-3333 • WWW.MFRCORP.COM

THIS DRAWING IN DESIGN AND DETAIL IS THE SOLE PROPERTY OF MFR MANUFACTURING CORPORATION, INC. AND MAY NOT BE USED FOR ANY PURPOSE WHATSOEVER OTHER THAN FOR OUR MANUFACTURING FACILITY AND INSTALLATION OF OUR PRODUCTS. THIS DOCUMENT OR ANY PART THEREOF MAY NOT BE REPRODUCED IN ANY MANNER WHATSOEVER AND SHALL BE RETURNED TO US UPON REQUEST. ALL RIGHTS RESERVED.

SCALE:
AS NOTED

DATE:
9/29/25

TITLE:
GRIGLIATO SC-100
PANEL DETAIL

SHEET NO:
SC-100