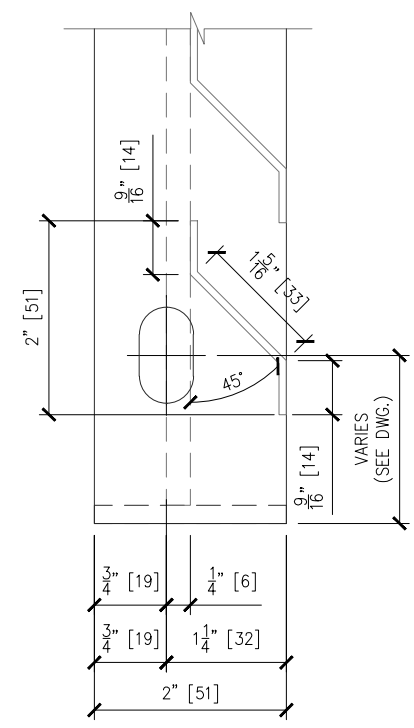


1 GRIGLIATO SC-100 DETAIL
 SC100 SCALE: 1-1/2"=1'-0"



2 ENLARGED VIEW
 SC100 SCALE: 6"=1'-0"

THIS DRAWING IN DESIGN AND DETAIL IS THE SOLE PROPERTY OF MFR MANUFACTURING CORPORATION, INC. AND MAY NOT BE USED FOR ANY PURPOSE WHATSOEVER OTHER THAN FOR OUR MANUFACTURING FACILITY AND INSTALLATION OF OUR PRODUCTS. THIS DOCUMENT OR ANY PART THEREOF MAY NOT BE REPRODUCED IN ANY MANNER WHATSOEVER AND SHALL BE RETURNED TO US UPON REQUEST. ALL RIGHTS RESERVED.

DRAWN BY:
 GM

CHECKED BY:
 KM



SCALE:
 AS NOTED

DATE:
 3/17/21

TITLE:
 GRIGLIATO SC-100
 PANEL DETAIL

SHEET NO:
 SC-100