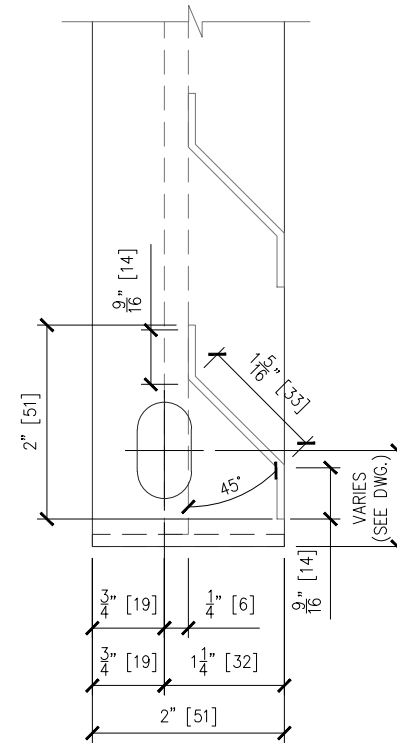


1 GRIGLIATO SC-80 DETAIL
 SC80 SCALE: 1-1/2"=1'-0"



2 ENLARGED VIEW
 SC80 SCALE: 6"=1'-0"

THIS DRAWING IN DESIGN AND DETAIL IS THE SOLE PROPERTY OF MFR MANUFACTURING CORPORATION, INC. AND MAY NOT BE USED FOR ANY PURPOSE WHATSOEVER OTHER THAN FOR OUR MANUFACTURING FACILITY AND INSTALLATION OF OUR PRODUCTS. THIS DOCUMENT OR ANY PART THEREOF MAY NOT BE REPRODUCED IN ANY MANNER WHATSOEVER AND SHALL BE RETURNED TO US UPON REQUEST. ALL RIGHTS RESERVED.

DRAWN BY: GM	 1065 SILL AVE, AURORA IL 60506 • (815) 552-3333 • WWW.MFRCORP.COM	SHEET NO: SC-80
CHECKED BY: KM		
SCALE: AS NOTED	TITLE: GRIGLIATO SC-80 PANEL DETAIL	
DATE: 3/17/21		