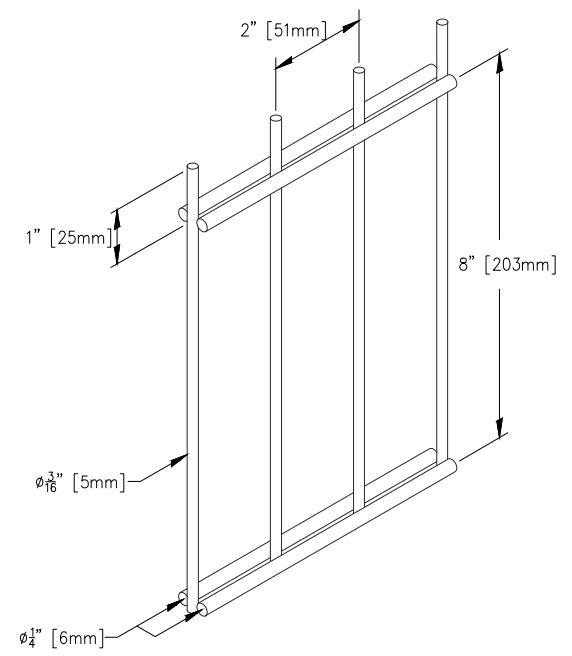


1 TYPICAL SINGLE SWING GATE w/TWINBAR INFILL  
SK1 SCALE: 3/4"=1'-0"



2 TWINBAR ISOMETRIC PANEL  
SK1 SCALE: 3"=1'-0"

THIS DRAWING IN DESIGN AND DETAIL IS THE SOLE PROPERTY OF MFR MANUFACTURING CORPORATION, INC. AND MAY NOT BE USED FOR ANY PURPOSE WHATSOEVER OTHER THAN FOR OUR MANUFACTURING FACILITY AND INSTALLATION OF OUR PRODUCTS. THIS DOCUMENT OR ANY PART THEREOF MAY NOT BE REPRODUCED IN ANY MANNER WHATSOEVER AND SHALL BE RETURNED TO US UPON REQUEST. ALL RIGHTS RESERVED.

DRAWN BY: GM	 1065 SILL AVE, AURORA IL 60506 • (815) 552-3333 • WWW.MFRCORP.COM	SHEET NO: SK1
CHECKED BY: KM		
SCALE: AS NOTED	TITLE: 6'-0"H x 4'-0"W SINGLE SWING GATE WITH TWINBAR INFILL PANELS	
DATE: 3/3/21		