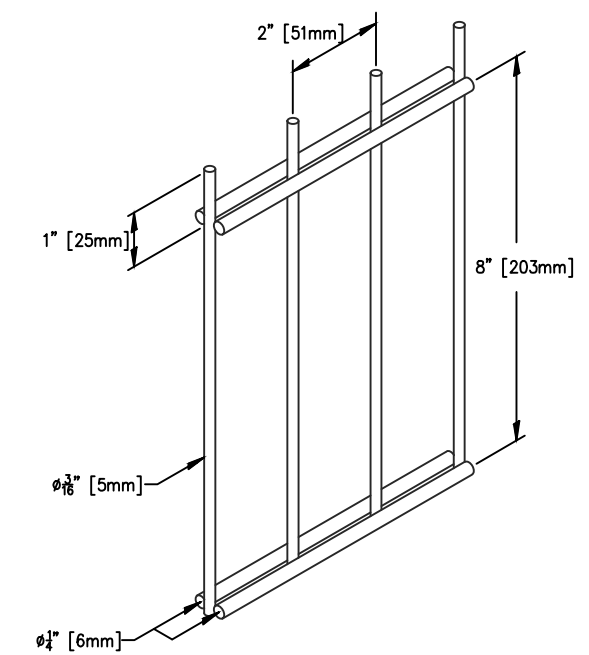
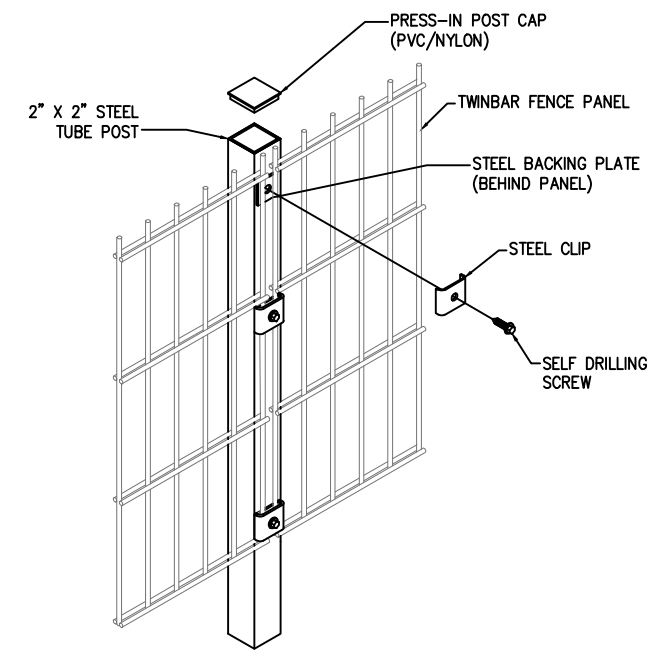


1 TYPICAL SINGLE SWING GATE w/TWINBAR INFILL
 TBG6 SCALE: 1/2"=1'-0"



2 TWINBAR ISOMETRIC PANEL
 TBG6 SCALE: 3"=1'-0"



3 TWINBAR ISOMETRIC PANEL
 TBG6 SCALE: N.T.S.

THIS DRAWING IN DESIGN AND DETAIL IS THE SOLE PROPERTY OF MFR MANUFACTURING CORPORATION, INC. AND MAY NOT BE USED FOR ANY PURPOSE WHATSOEVER OTHER THAN FOR OUR MANUFACTURING FACILITY AND INSTALLATION OF OUR PRODUCTS. THIS DOCUMENT OR ANY PART THEREOF MAY NOT BE REPRODUCED IN ANY MANNER WHATSOEVER AND SHALL BE RETURNED TO US UPON REQUEST. ALL RIGHTS RESERVED.

DRAWN BY:
GM
 CHECKED BY:
AA
 SCALE:
AS NOTED
 DATE:
3/16/21

METALCO
 MFR MANUFACTURING CORP.
 1065 SILL AVE, AURORA IL 60506 • (815) 552-3333 • WWW.MFRCORP.COM

TITLE:
 6'-0"H x 4'-0"W SINGLE SWING GATE
 WITH TWINBAR INFILL PANELS

SHEET NO:
 TBG6