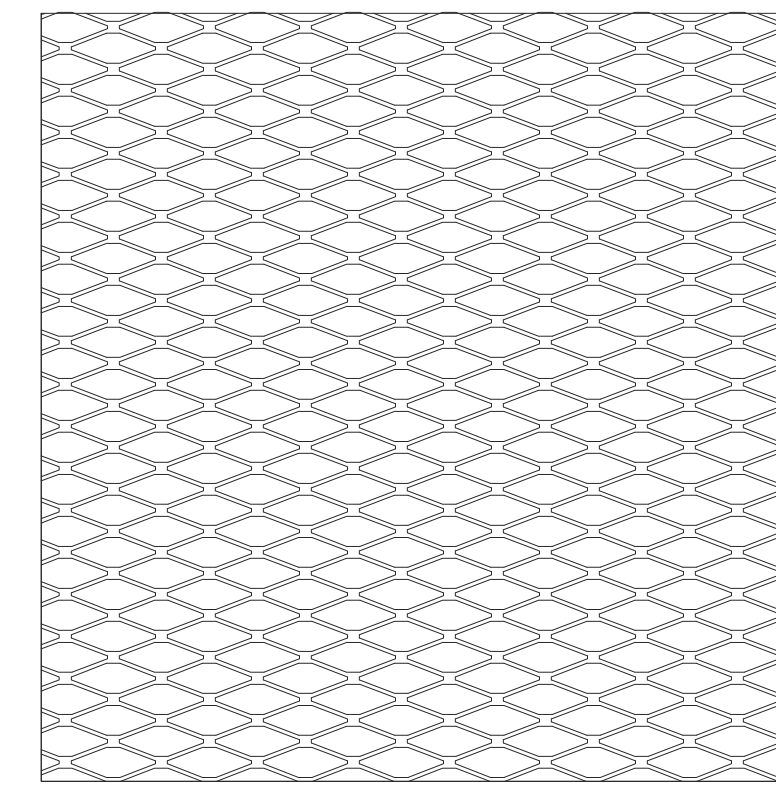
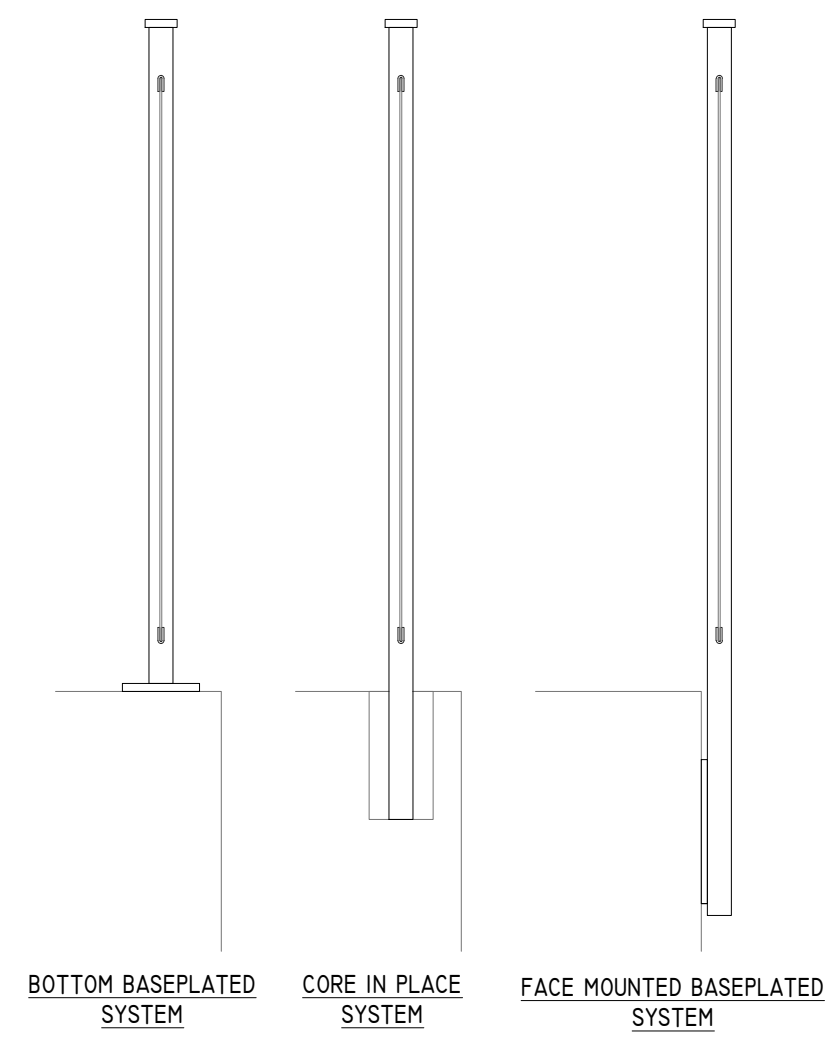
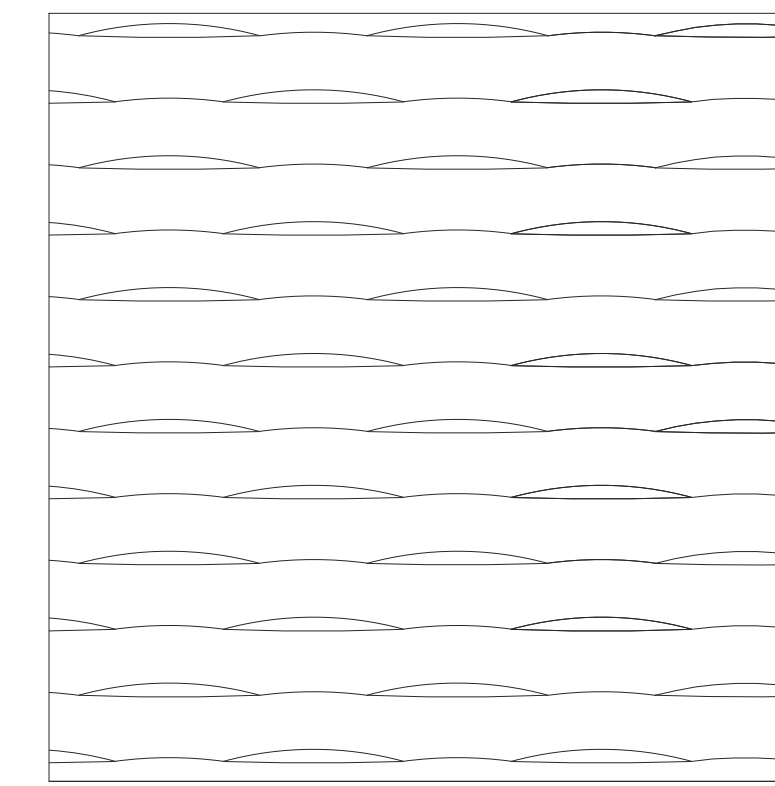


1 TYPICAL "SELECT" EXPANDED METAL RAILING SYSTEM
AI SCALE: 1"=1'-0"



2 STANDARD EXPANDED METAL
AI SCALE: 6"=1'-0"



3 LOUVER MESH
AI SCALE: 6"=1'-0"

THIS DRAWING IN DESIGN AND DETAIL IS THE SOLE PROPERTY OF MFR MANUFACTURING CORPORATION, INC. AND MAY NOT BE USED FOR ANY PURPOSE WHATSOEVER OTHER THAN FOR OUR MANUFACTURING FACILITY AND INSTALLATION OF OUR PRODUCTS. THIS DOCUMENT OR ANY PART THEREOF MAY NOT BE REPRODUCED IN ANY MANNER WHATSOEVER AND SHALL BE RETURNED TO US UPON REQUEST. ALL RIGHTS RESERVED.

REV. NO.	REV. BY	REV. DATE
△		
△		
△		
△		

CONTENTS:
"SELECT" EXPANDED METAL RAILING INFILL PANEL DETAILS

METALCO
MFR MANUFACTURING CORP.
1065 SILL AVE. AURORA IL 60506
(815) 552-3333 WWW.MFRCORP.COM

PROJECT: "SELECT" EXPANDED METAL RAILING SYSTEM
ADDRESS:

DRAWN BY: GM
CHECKED BY: KM

SCALE: AS NOTED
DATE: 3/3/2021

JOB NO.: S-EXPAND

SHEET NO.: AI