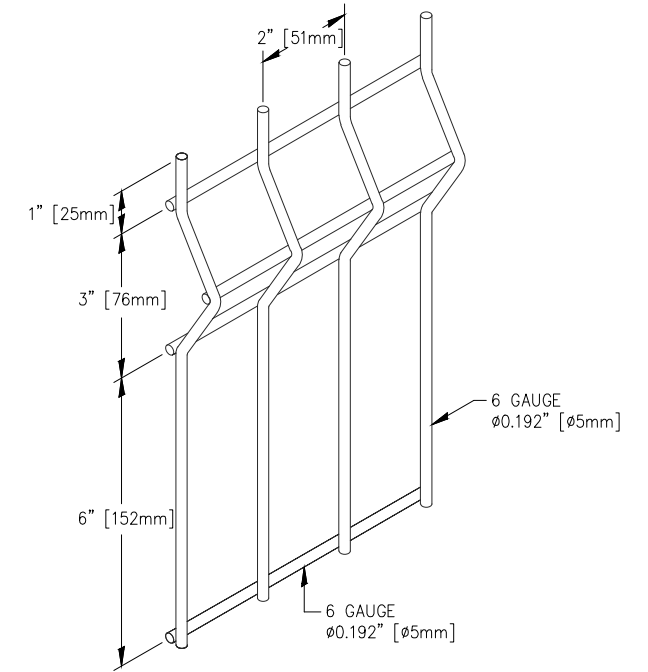
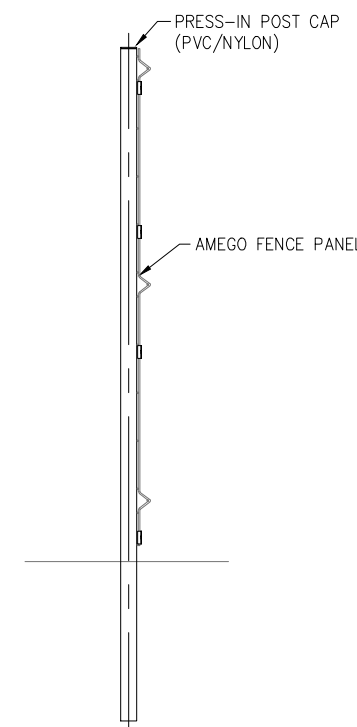
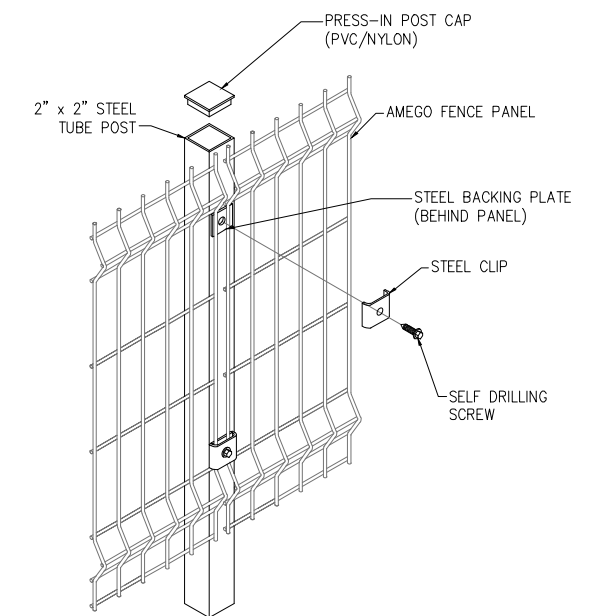


1 TYPICAL 5'-0" TALL AMEGO FENCE PARTIAL ELEVATION
SK1 SCALE: 1/2"=1'-0"



3 AMEGO PANEL ISOMETRIC
SK1 SCALE: 3"=1'-0"



2 FINAL ASSEMBLY ISOMETRIC
SK1 SCALE: N.T.S.

THIS DRAWING IN DESIGN AND DETAIL IS THE SOLE PROPERTY OF METALCO (ATLANTIS PRODUCTS, INC.) AND MAY NOT BE USED FOR ANY PURPOSE WHATSOEVER OTHER THAN FOR OUR MANUFACTURING FACILITY AND INSTALLATION OF OUR PRODUCTS. THIS DOCUMENT OR ANY PART THEREOF MAY NOT BE REPRODUCED IN ANY MANNER WHATSOEVER AND SHALL BE RETURNED TO US UPON REQUEST. ALL RIGHTS RESERVED.

DRAWN BY:
AA
CHECKED BY:
KM
SCALE:
AS NOTED
DATE:
03/04/21



TITLE:
TYPICAL 5'-0" H AMEGO FENCE
ELEVATION AND DETAILS

SHEET NO:
SK1