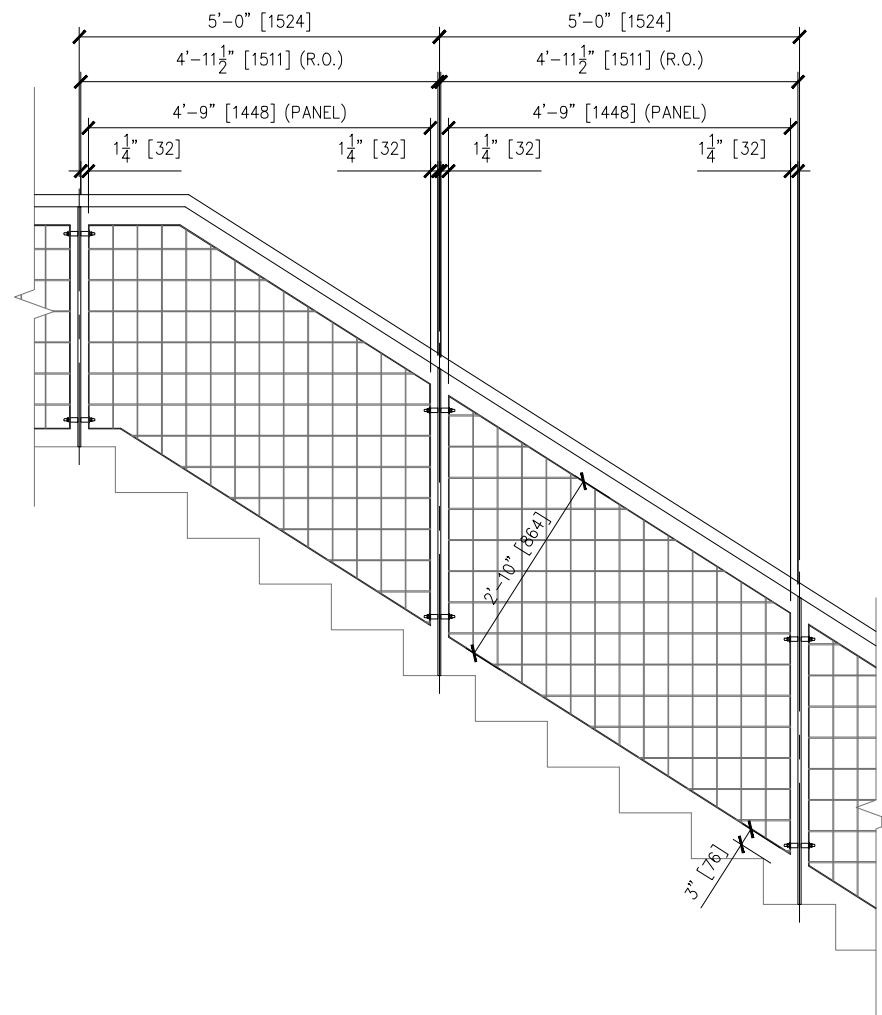
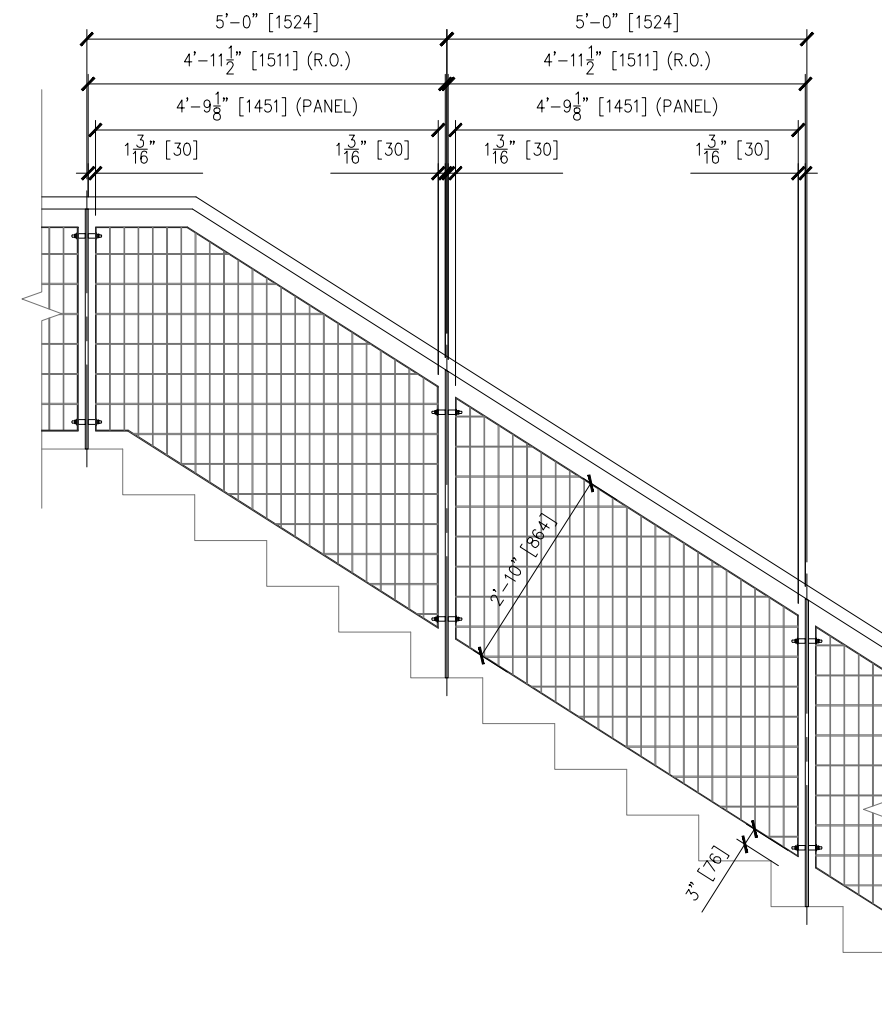


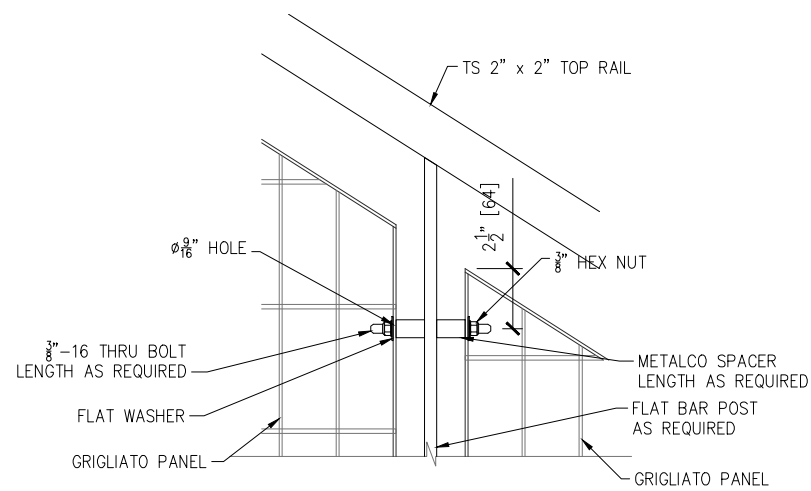
1 GRIGLIATO "A" SLOPED RAILING SYSTEM
SK2 SCALE: 3/8"=1'-0"



2 GRIGLIATO "C" SLOPED RAILING SYSTEM
SK2 SCALE: 3/8"=1'-0"



3 GRIGLIATO "D" SLOPED RAILING SYSTEM
SK2 SCALE: 3/8"=1'-0"



4 TYPICAL CONNECTION DETAIL FOR SLOPED PANELS
SK2 SCALE: N.T.S.

THIS DRAWING IN DESIGN AND DETAIL IS THE SOLE PROPERTY OF MFR MANUFACTURING CORPORATION, INC. AND MAY NOT BE USED FOR ANY PURPOSE WHATSOEVER OTHER THAN FOR OUR MANUFACTURING FACILITY AND INSTALLATION OF OUR PRODUCTS. THIS DOCUMENT OR ANY PART THEREOF MAY NOT BE REPRODUCED IN ANY MANNER WHATSOEVER AND SHALL BE RETURNED TO US UPON REQUEST. ALL RIGHTS RESERVED.

DRAWN BY: GM	 1065 SILL AVE, AURORA IL 60506 • (815) 552-3333 • WWW.MFRCORP.COM	SHEET NO: SK2
CHECKED BY: KM		
SCALE: AS NOTED	TITLE: TYPICAL GRIGLIATO RAILING SYSTEMS SLOPED W/ SPACERS	
DATE: 3/2/21		