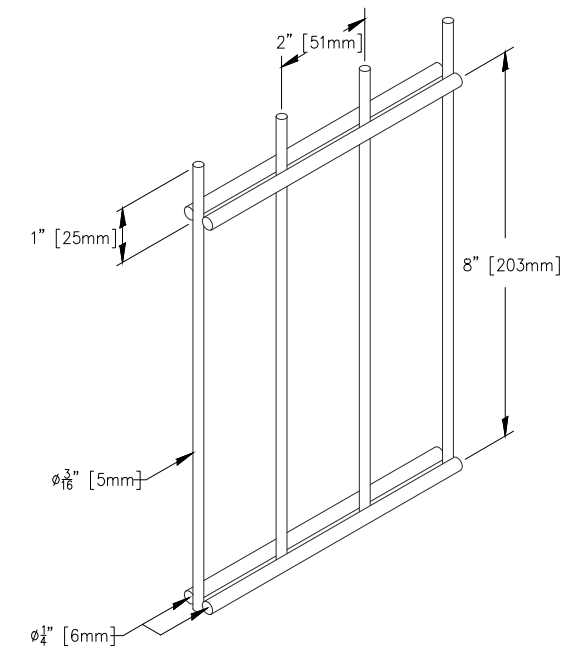
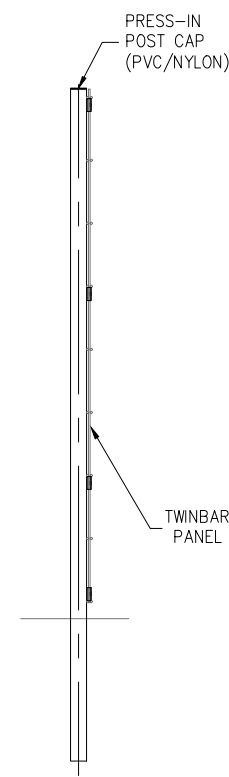
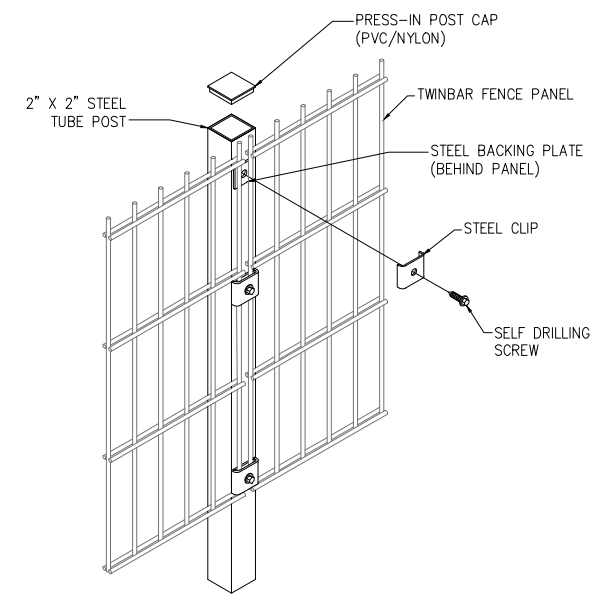


1 TYPICAL 5'-0" TALL TWINBAR FENCE PARTIAL ELEVATION  
SK1 SCALE: 1/2"=1'-0"



2 TWINBAR PANEL ISOMETRIC  
SK1 SCALE: 3"=1'-0"



3 CONNECTION DETAIL ISOMETRIC  
SK1 SCALE: N.T.S.

DRAWN BY:  
GM  
CHECKED BY:  
KM  
SCALE:  
AS NOTED  
DATE:  
3/3/21



TITLE:  
TYPICAL 5'-0" H TWINBAR FENCE  
ELEVATION AND DETAILS

SHEET NO:  
SK1

THIS DRAWING IN DESIGN AND DETAIL IS THE SOLE PROPERTY OF MFR MANUFACTURING CORPORATION, INC. AND MAY NOT BE USED FOR ANY PURPOSE WHATSOEVER OTHER THAN FOR OUR MANUFACTURING FACILITY AND INSTALLATION OF OUR PRODUCTS. THIS DOCUMENT OR ANY PART THEREOF MAY NOT BE REPRODUCED IN ANY MANNER WHATSOEVER AND SHALL BE RETURNED TO US UPON REQUEST. ALL RIGHTS RESERVED.