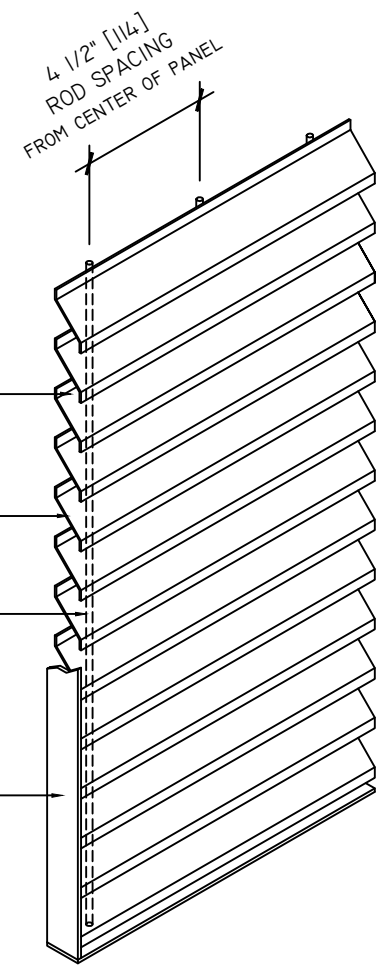



SECTIONAL VIEW

- ZERO HORIZONTAL VIEWING GAP
- 16 GA. STEEL SHEET METAL
- Ø3/16" [Ø5MM] STEEL CROSSROD
- 1-1/4" x 3/16" [30 x 5] STEEL FLATBAR



ISOMETRIC DRAWING

DRAWN BY: F.C.			SHEET No.
CHECKED BY: GHS			
SCALE: N.T.S.			1 OF 1
DATE: 02/21/02			