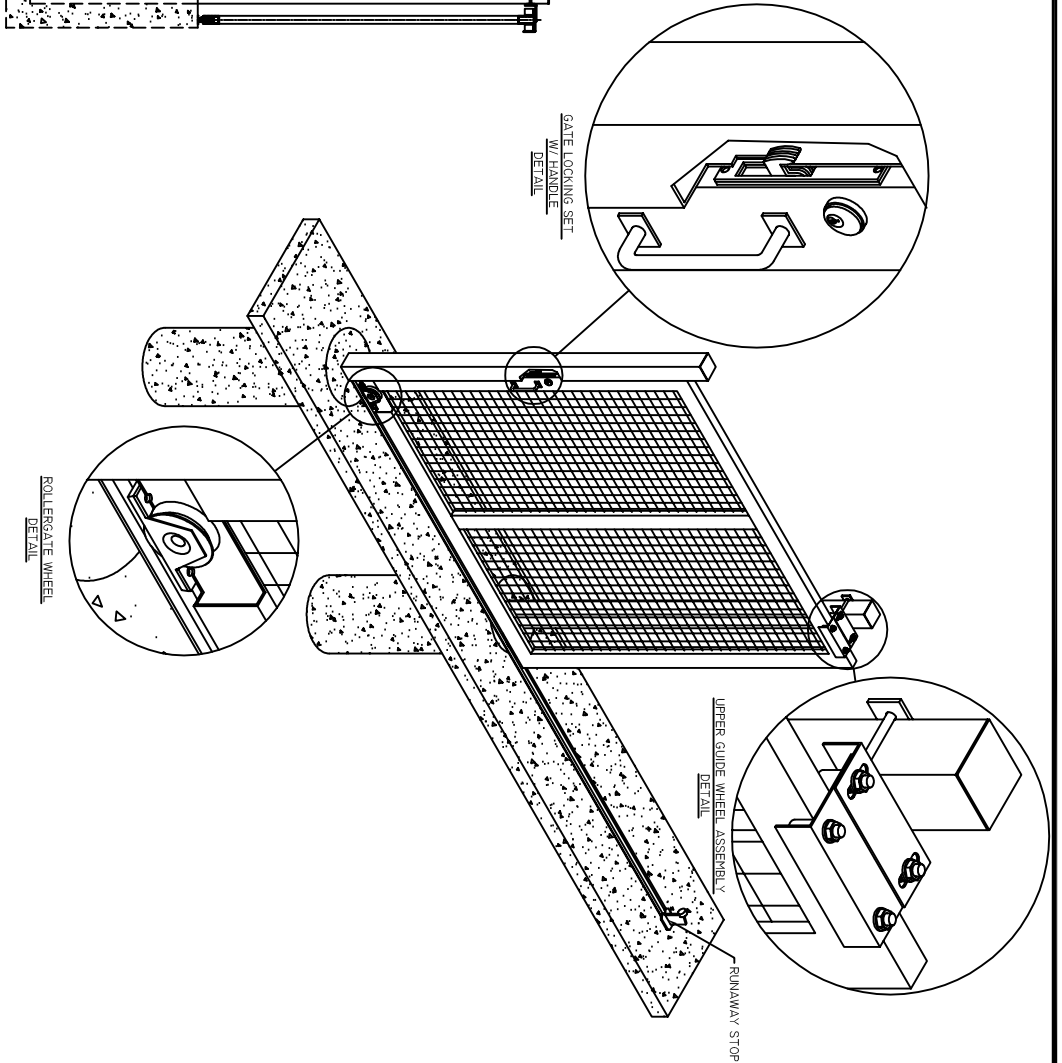


GATE ASSEMBLY ELEVATION

SECTION ELEVATION



DRAWN BY: F.C.	<b>metalco</b> <sup>®</sup>
CHECKED BY: GHS	
SCALE: NTS	TITLE: SLIDING GATE
DATE: 02/27/02	SHEET NO: D-SG-1