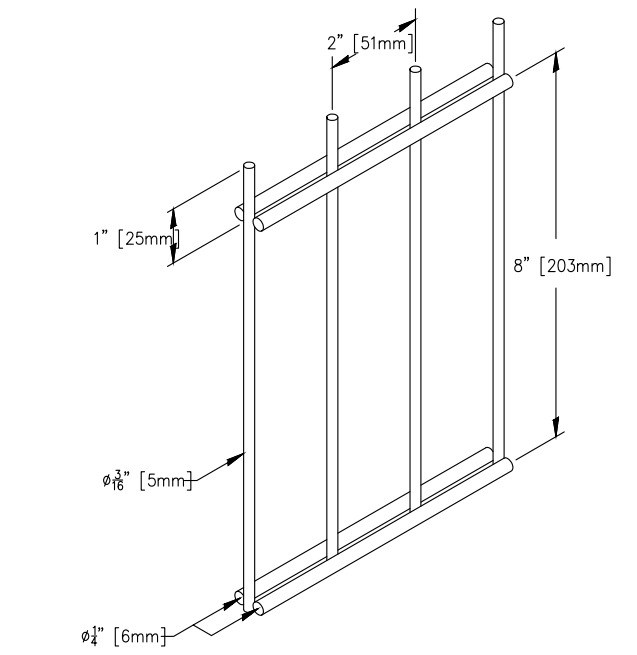
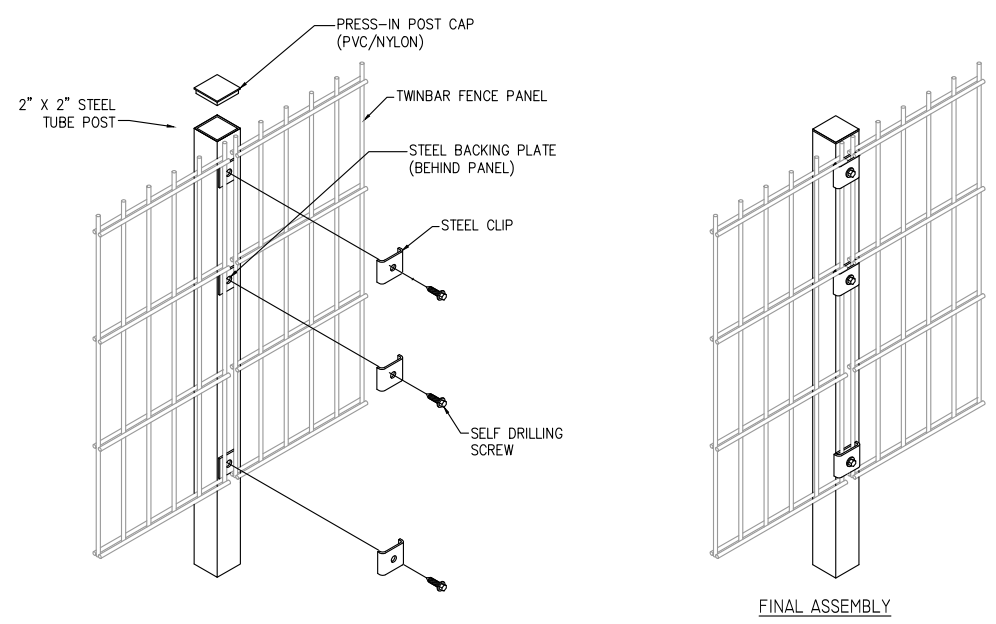


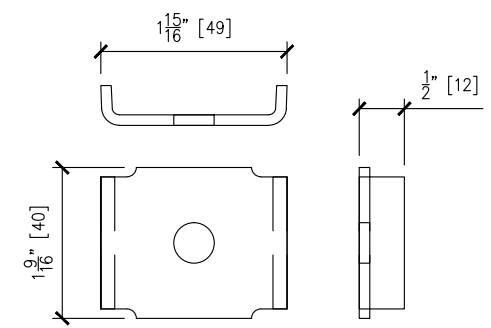
1 TYPICAL 6'-0" TALL TWINBAR FENCE PARTIAL ELEVATION  
SK1 SCALE: 1/2"=1'-0"



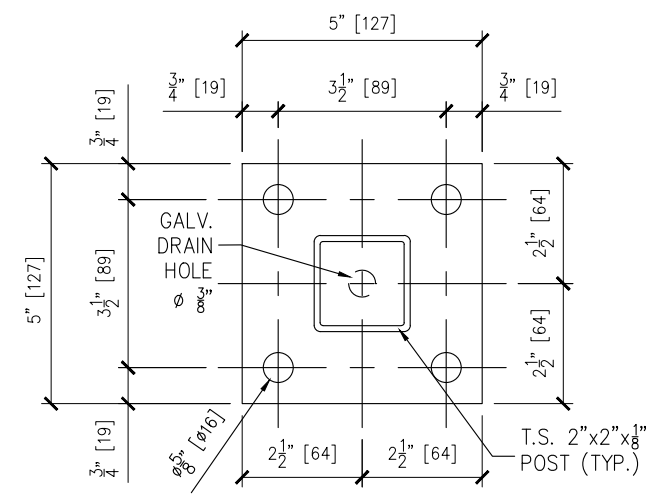
2 TWINBAR PANEL ISOMETRIC  
SK1 SCALE: 3"=1'-0"



3 FINAL ASSEMBLY ISOMETRIC  
SK1 SCALE: N.T.S.



4 TWINBAR ATTACHMENT CLIP DETAIL  
SK1 SCALE: 6"=1'-0"



5 5"X5"X1/4" THK BASE PLATE  
SK1 SCALE: 3"=1'-0"

THIS DRAWING IN DESIGN AND DETAIL IS THE SOLE PROPERTY OF MFR MANUFACTURING CORPORATION, INC. AND MAY NOT BE USED FOR ANY PURPOSE WHATSOEVER OTHER THAN FOR OUR MANUFACTURING FACILITY AND INSTALLATION OF OUR PRODUCTS. THIS DOCUMENT OR ANY PART THEREOF MAY NOT BE REPRODUCED IN ANY MANNER WHATSOEVER AND SHALL BE RETURNED TO US UPON REQUEST. ALL RIGHTS RESERVED.

DRAWN BY: GM		SHEET NO: SK1
CHECKED BY: GS		
SCALE: AS NOTED	TITLE: TYPICAL 6'-0" TALL TWINBAR FENCE w/WELDED BASE PLATE	SHEET NO: SK1
DATE: 8/20/20		