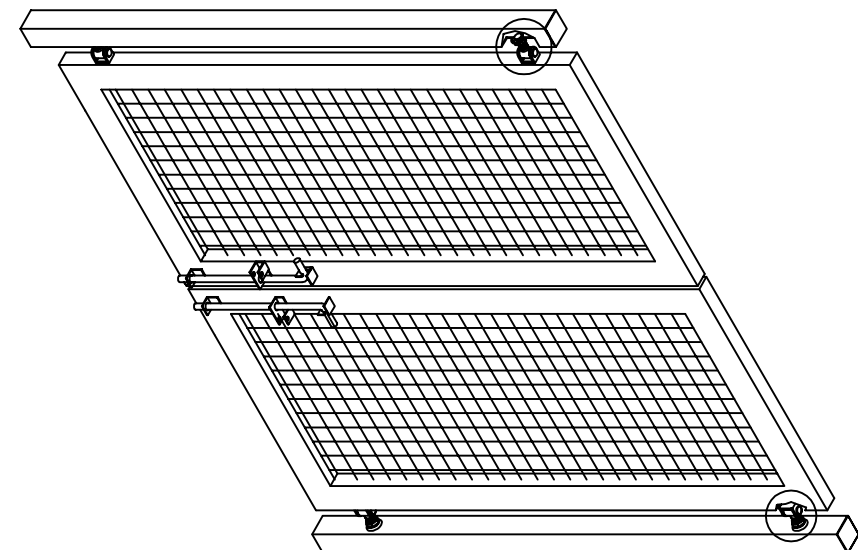
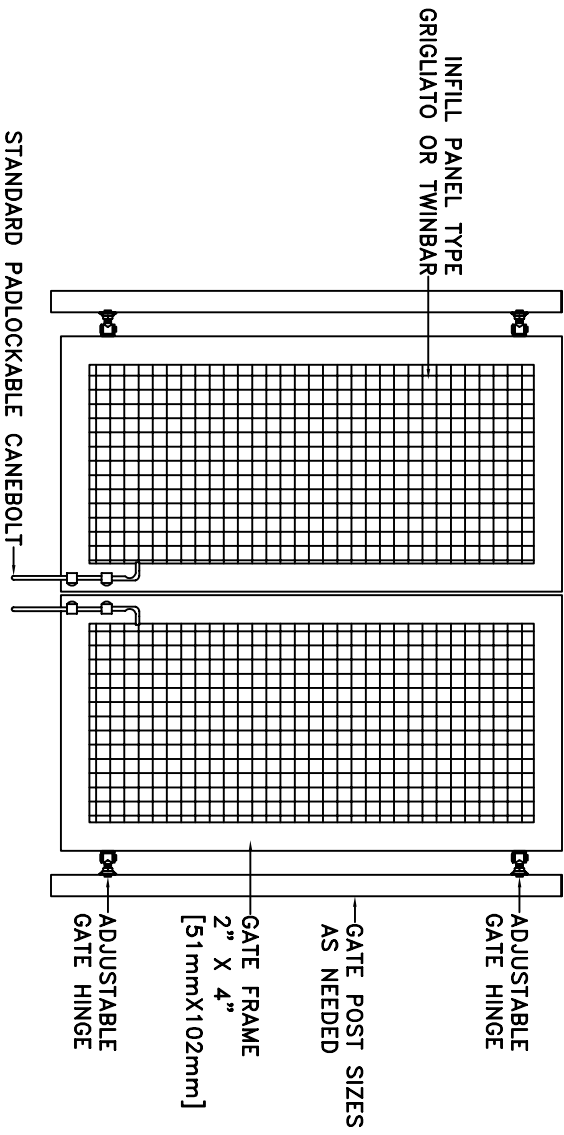


ADJUSTABLE GATE HINGE
DETAIL



ADJUSTABLE GATE HINGE
DETAIL



GATE POST SIZES
AS NEEDED

GATE FRAME
2" X 4"
[51mmX102mm]

DRAWN BY: F.C.	
CHECKED BY: GHS	
SCALE: NTS	
DATE: 02/27/02	TITLE: DOUBLE SWING GATE W/ STD. CANEBOLTS
SHEET NO: D-DSG-1	