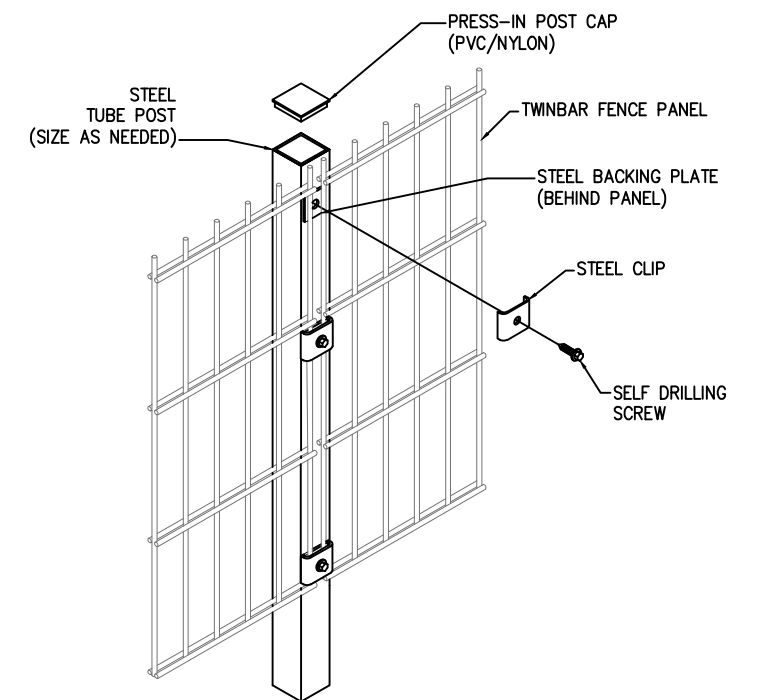


3 TWINBAR PANEL ISOMETRIC
 TBE SCALE: 3"=1'-0"



3 CONNECTION DETAIL ISOMETRIC
 TBE SCALE: N.T.S.

1 TYPICAL 11'-11" HIGH TWINBAR w/ 45 DEGREE EXTENSION ARM
 TBE SCALE: 3/8"=1'-0"

THIS DRAWING IN DESIGN AND DETAIL IS THE SOLE PROPERTY OF MFR MANUFACTURING CORPORATION, INC. AND MAY NOT BE USED FOR ANY PURPOSE WHATSOEVER OTHER THAN FOR OUR MANUFACTURING FACILITY AND INSTALLATION OF OUR PRODUCTS. THIS DOCUMENT OR ANY PART THEREOF MAY NOT BE REPRODUCED IN ANY MANNER WHATSOEVER AND SHALL BE RETURNED TO US UPON REQUEST. ALL RIGHTS RESERVED.

DRAWN BY: AA	 1065 SILL AVE, AURORA IL 60506 • (815) 552-3333 • WWW.MFRCORP.COM	SHEET NO: TBE
CHECKED BY: GM		
SCALE: AS NOTED	TITLE: TYPICAL 11'-11" H TWINBAR w/45 DEGREE EXTENSION	
DATE: 3/15/21		