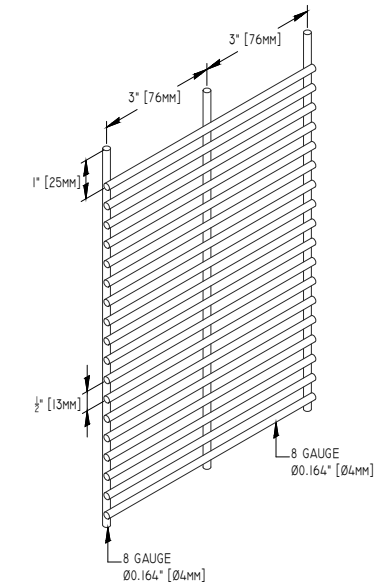
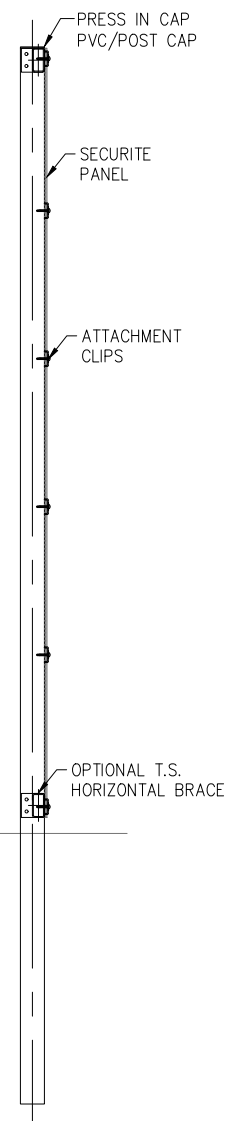
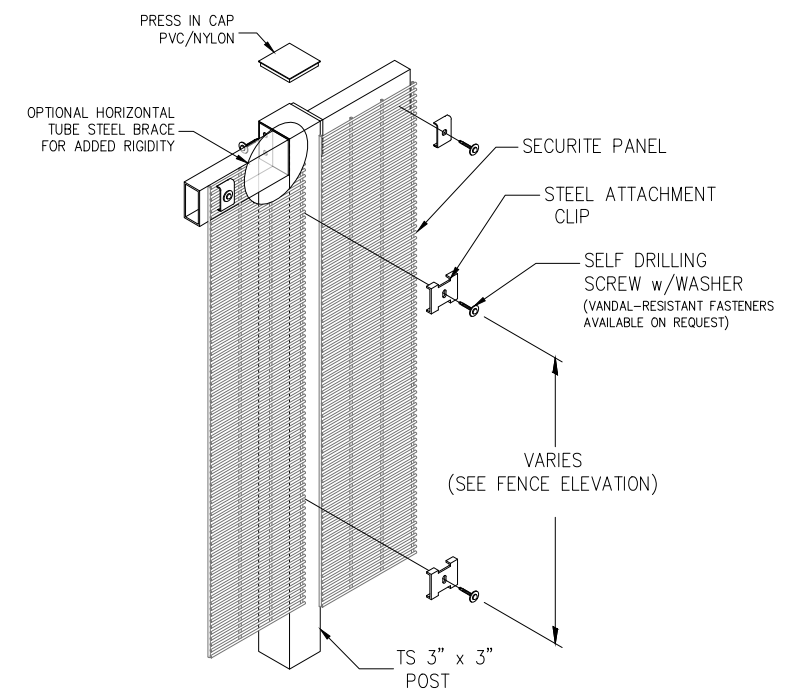


1 8'-2" TALL SECURITE FENCE PARTIAL ELEVATION
SK1 SCALE: 1/2"=1'-0"



2 SECURITE PANEL ISOMETRIC
SK1 SCALE: N.T.S.



3 TYPICAL CONNECTION DETAIL
SK1 SCALE: 3/4"=1'-0"

DRAWN BY:
KM
CHECKED BY:
GM



THIS DRAWING IN DESIGN AND DETAIL IS THE SOLE PROPERTY OF MFR MANUFACTURING CORPORATION, INC. AND MAY NOT BE USED FOR ANY PURPOSE WHATSOEVER OTHER THAN FOR OUR MANUFACTURING FACILITY AND INSTALLATION OF OUR PRODUCTS. THIS DOCUMENT OR ANY PART THEREOF MAY NOT BE REPRODUCED IN ANY MANNER WHATSOEVER AND SHALL BE RETURNED TO US UPON REQUEST. ALL RIGHTS RESERVED.

SCALE:
AS NOTED
DATE:
10/3/25

TITLE:
8'-2" H SECURITE FENCE SYSTEM
w/ FLAT PANEL ORIENTATION D

SHEET NO:
SK1