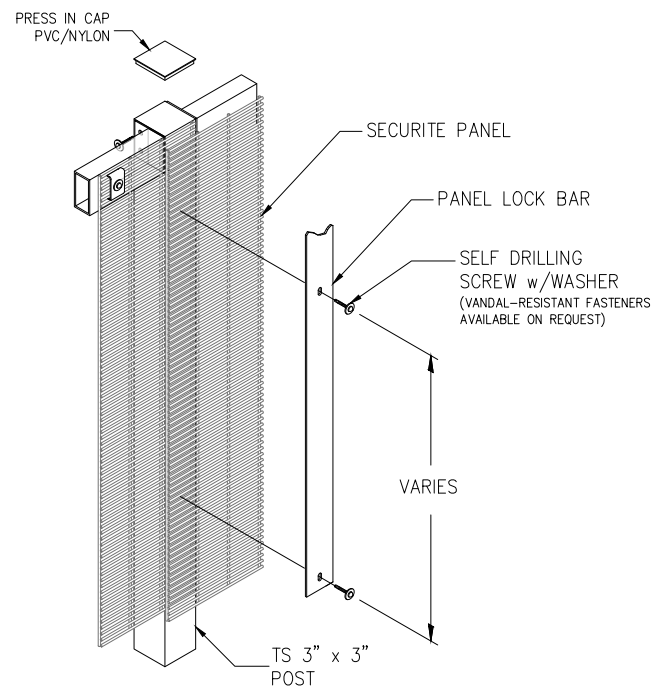
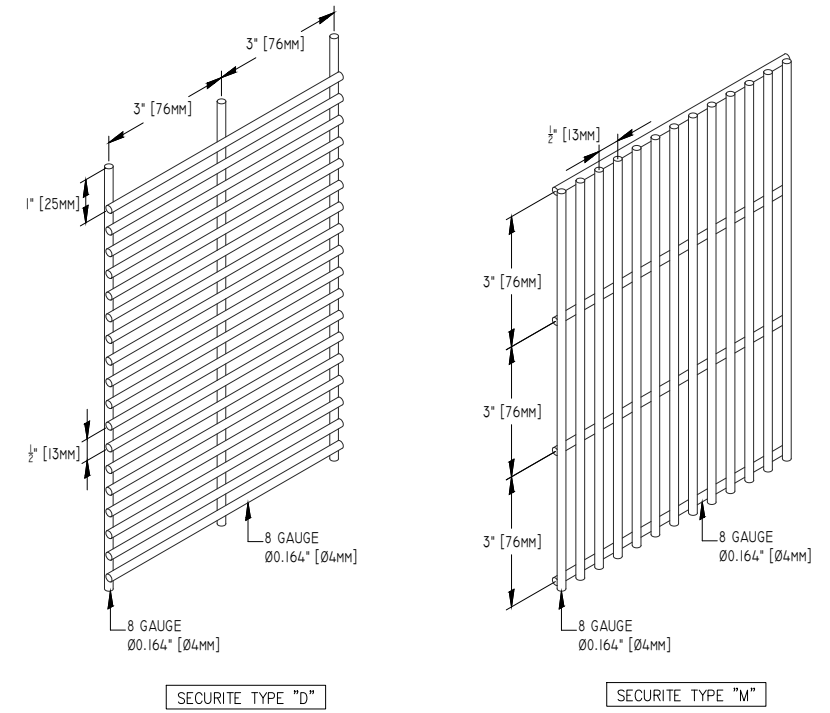


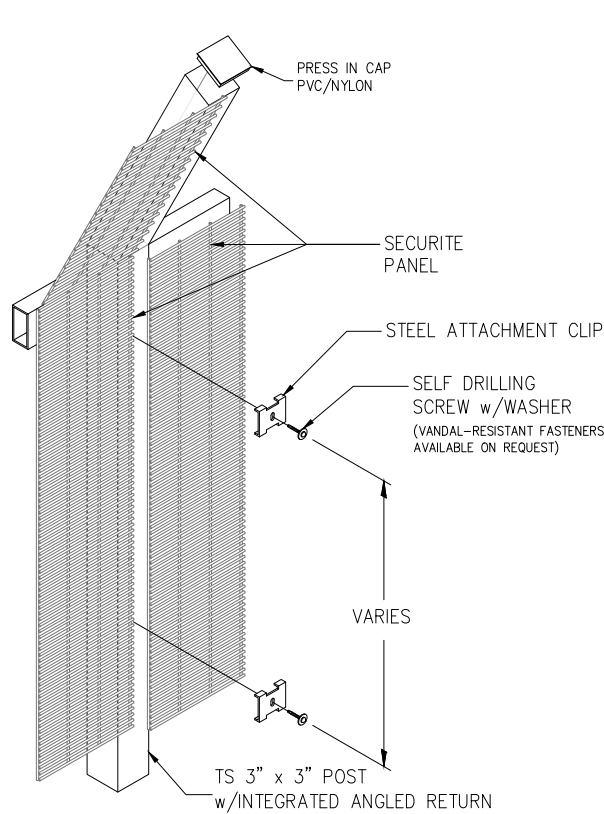
1 TYPICAL SECURITE CONNECTION DETAIL  
SK1 SCALE: 3/4"=1'-0"



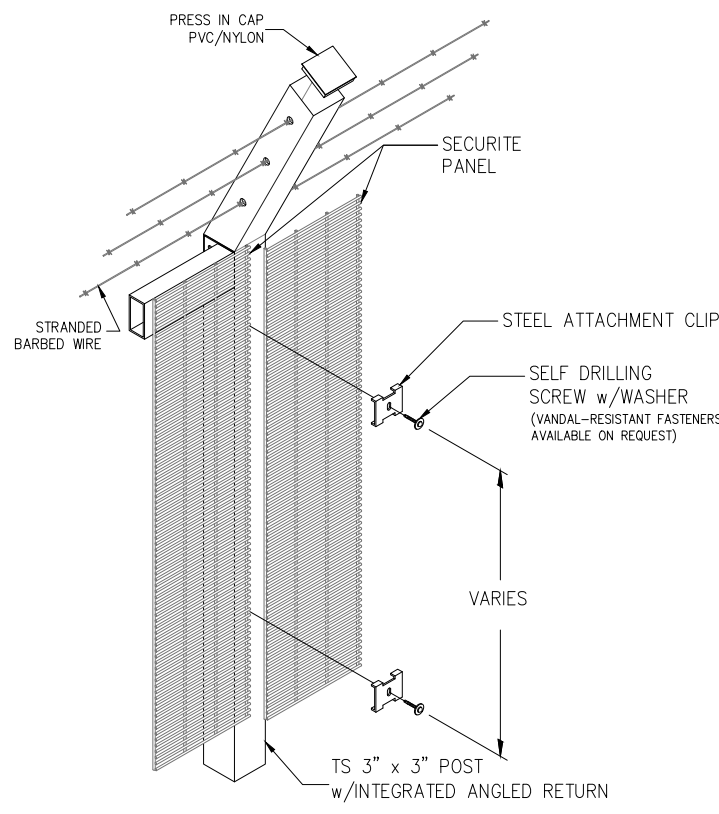
2 LOCKBAR PANEL CONNECTION  
SK1 SCALE: 3/4"=1'-0"



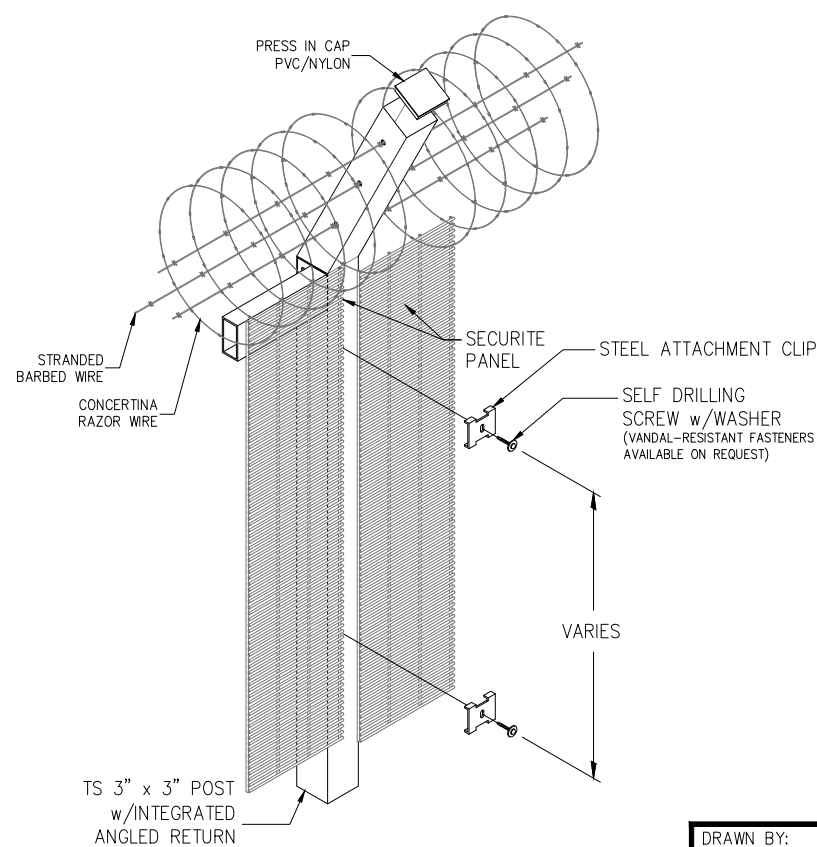
3 SECURITE PANEL ISOMETRIC  
SK1 SCALE: N.T.S.



4 ANGLED RETURN w/EXTENSION PANEL  
SK1 SCALE: 3/4"=1'-0"



5 ANGLED RETURN w/BARBED WIRE  
SK1 SCALE: 3/4"=1'-0"



6 ANGLED RETURN w/RAZOR WIRE  
SK1 SCALE: 3/4"=1'-0"

THIS DRAWING IN DESIGN AND DETAIL IS THE SOLE PROPERTY OF MFR MANUFACTURING CORPORATION, INC. AND MAY NOT BE USED FOR ANY PURPOSE WHATSOEVER OTHER THAN FOR OUR MANUFACTURING FACILITY AND INSTALLATION OF OUR PRODUCTS. THIS DOCUMENT OR ANY PART THEREOF MAY NOT BE REPRODUCED IN ANY MANNER WHATSOEVER AND SHALL BE RETURNED TO US UPON REQUEST. ALL RIGHTS RESERVED.

DRAWN BY:	KM
CHECKED BY:	GM
SCALE:	AS NOTED
DATE:	10/7/25



TITLE:  
SECURITE FENCE SYSTEMS  
OPTIONAL SECURITY ENHANCEMENTS

SHEET NO:  
SK1